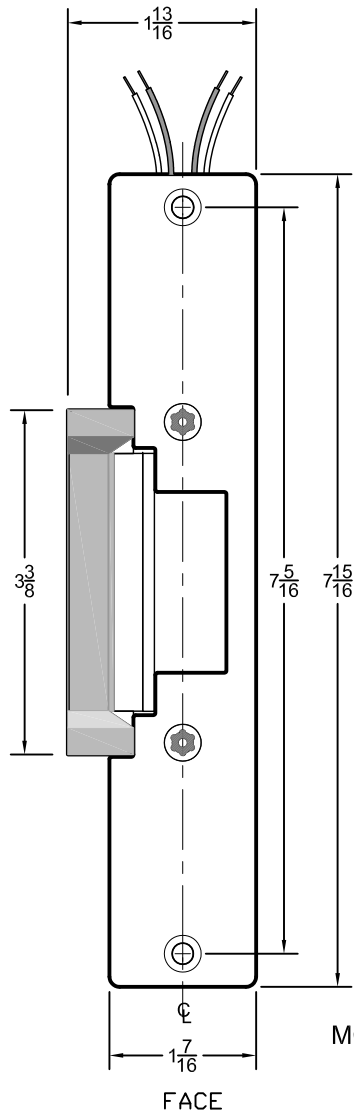


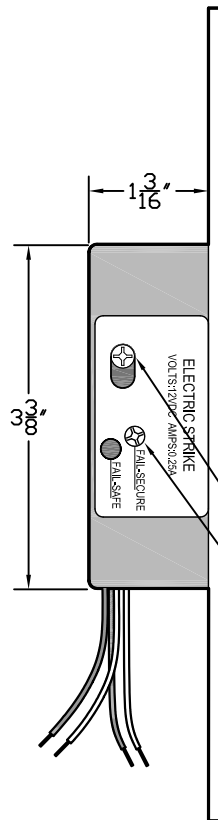
3300 & 3300xD SERIES ELECTRIC STRIKES

XD OPTION - DOOR LATCH MONITOR WIRE CHART	
BLUE	Closed when trigger is depressed
YELLOW	Open when trigger is depressed
GREEN	Common



MODEL 3300 WOOD JAMB

FAIL SECURE CONFIGURATION



SIDE VIEW

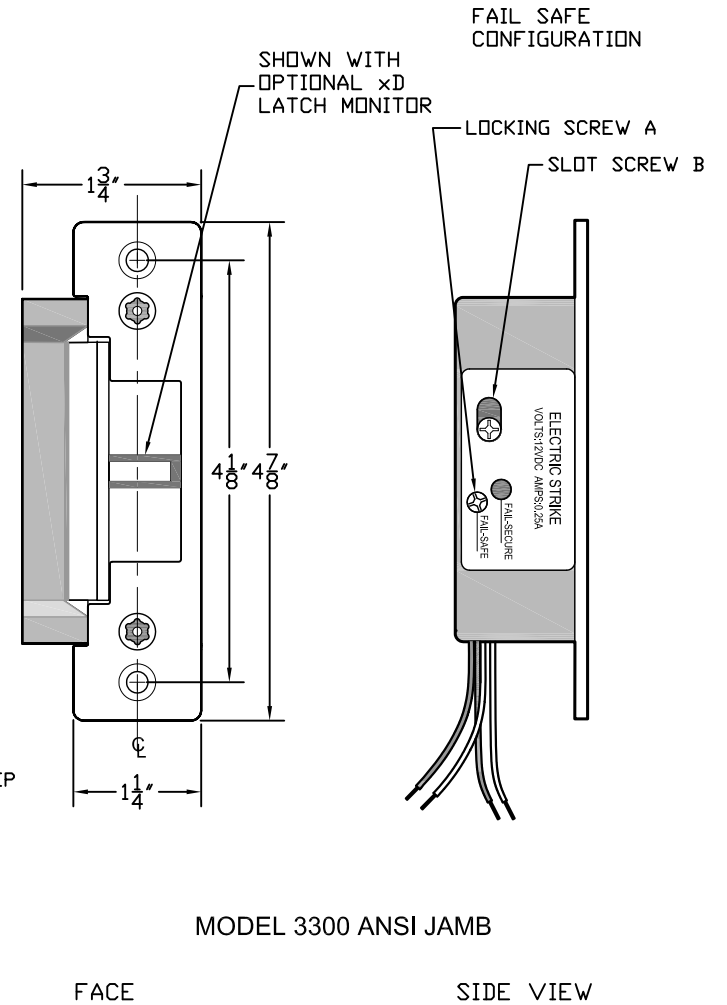
UNIT IS SHIPPED CONFIGURED FOR FAIL SECURE OPERATION. (SECURE DURING POWER LOSS)

TO CHANGE TO FAIL SAFE CONFIGURATION (UNLOCKED DURING POWER LOSS)

1. REMOVE LOCKING SCREW A
2. LOOSEN SLOT SCREW B ONLY ENOUGH TO REPOSITION.
3. SLIDE SLOT SCREW B TO END OF SLOT. THREADED LOCKING PLATE SHOULD NOW LINE UP WITH **FAIL SAFE** OPENING.
4. TIGHTEN SLOT SCREW B
5. INSTALL LOCKING SCREW A.

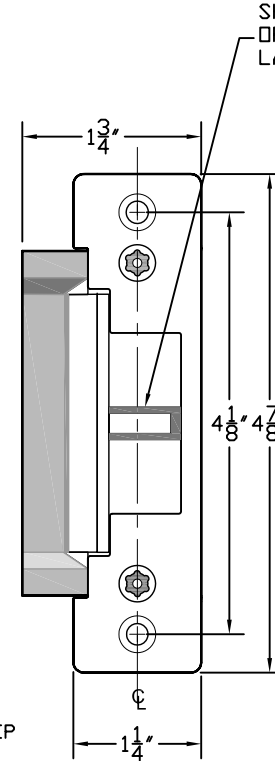
LATCH BOLT KEEPER SPACE
11/16" WIDE X 1 - 3/4" HIGH X 7/16" DEEP

Current = 0.28 Amps @ 12 VDC
0.14 Amps @ 24 VDC

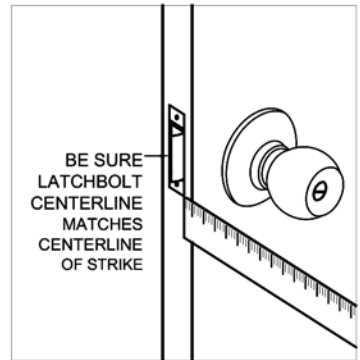
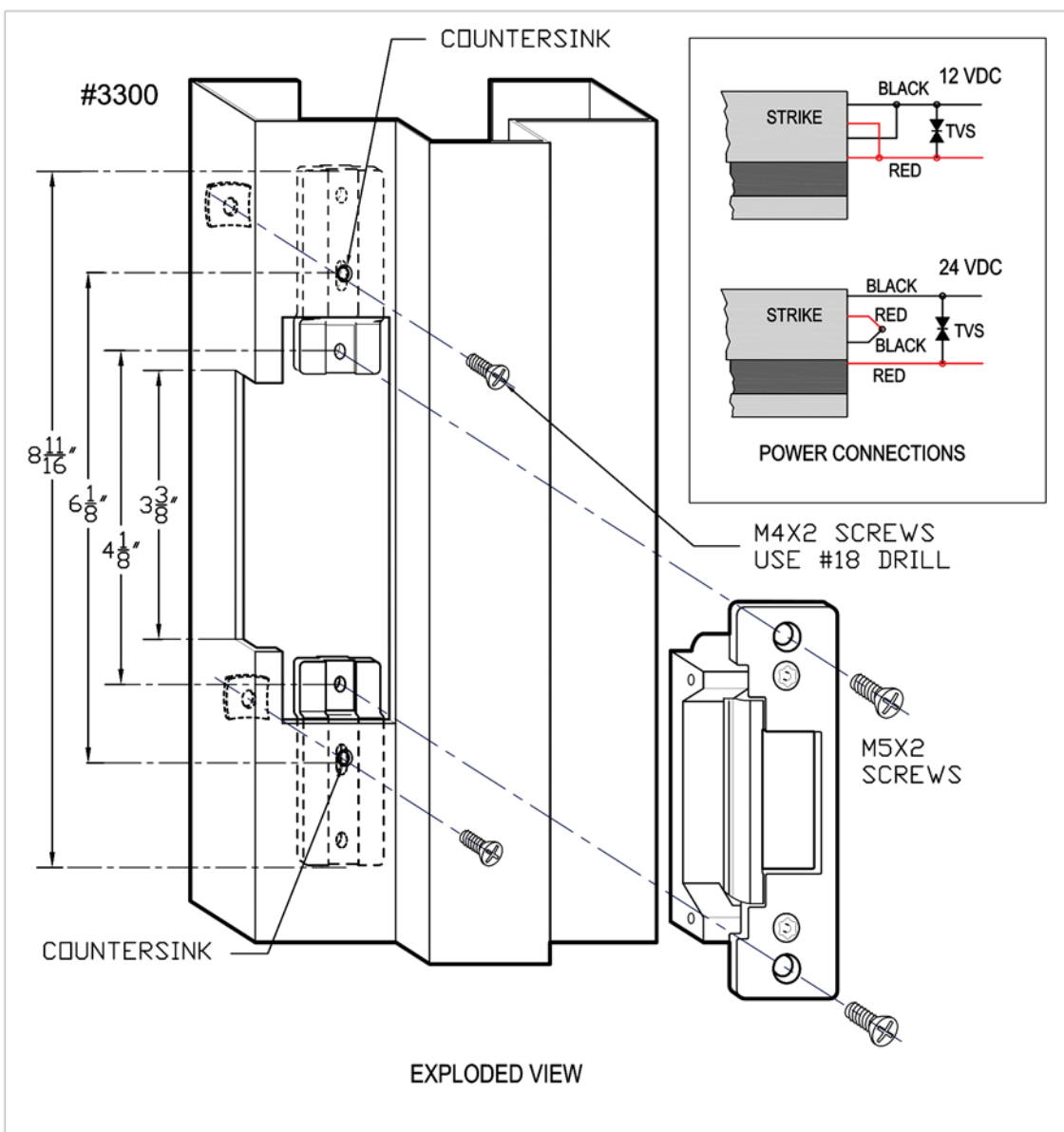


MODEL 3300 ANSI JAMB

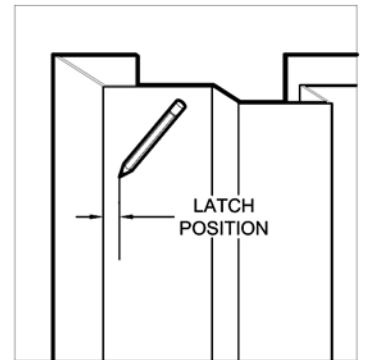
FAIL SAFE CONFIGURATION



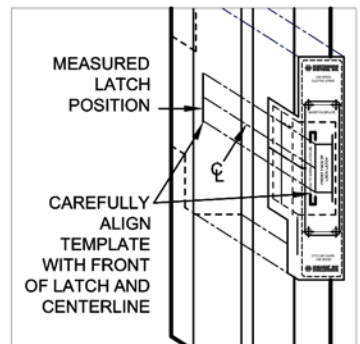
SIDE VIEW



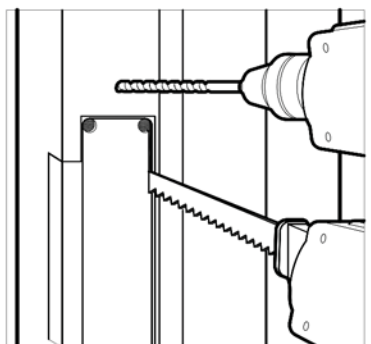
1 MEASURE LATCH POSITION



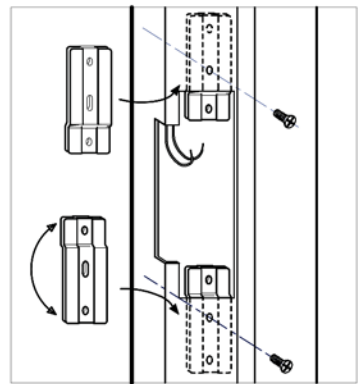
2 TRANSFER MEASUREMENT TO JAMB



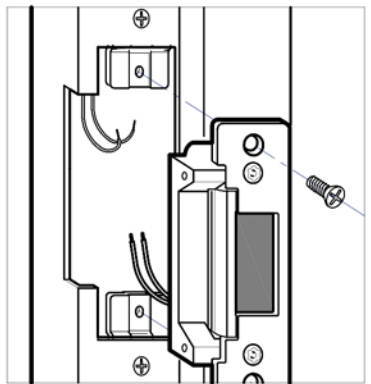
3 APPLY TEMPLATE TO JAMB
ALIGN WITH LATCH POSITION MARK.



4 USE TEMPLATE TO CUT OPENING
AND DRILL MOUNTING HOLES

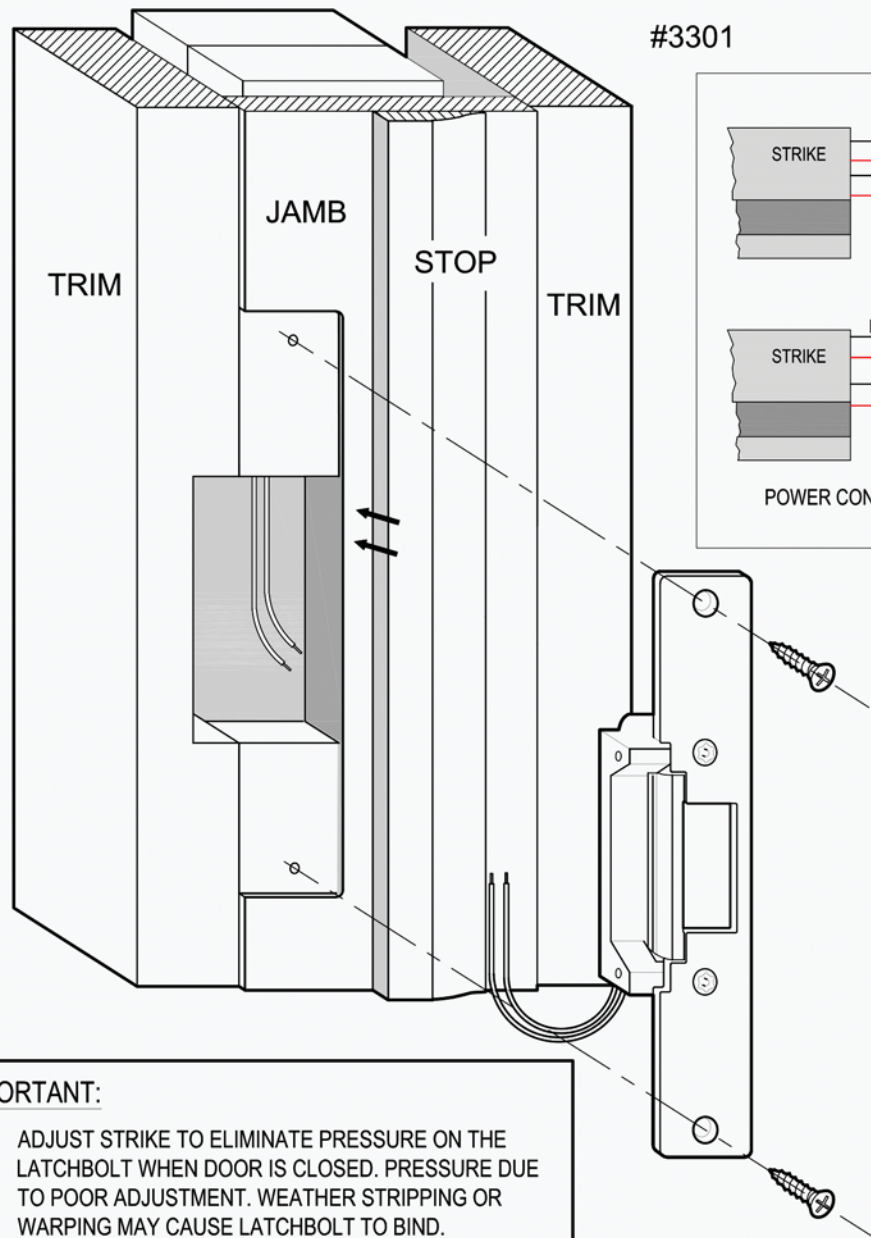


5 INSTALL MOUNTING TABS - ROTATE
TABS FOR EITHER FLUSH OR OFFSET
MOUNTING

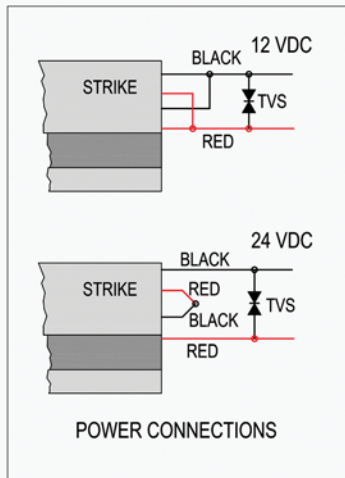


6 CONNECT PARALLEL FOR 12 VDC
OR SERIES FOR 24 VDC - SEE ABOVE

IMPORTANT:
 ADJUST STRIKE TO ELIMINATE PRESSURE ON THE LATCHBOLT WHEN DOOR IS CLOSED. PRESSURE DUE TO POOR ADJUSTMENT. WEATHER STRIPPING OR WARPING MAY CAUSE LATCHBOLT TO BIND.
 BE SURE THAT LATCHBOLT MOVES FREELY.



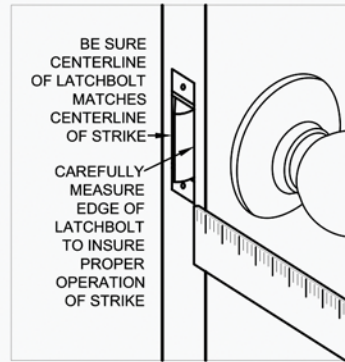
#3301



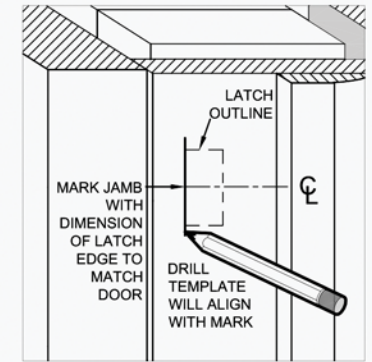
IMPORTANT:

ADJUST STRIKE TO ELIMINATE PRESSURE ON THE LATCHBOLT WHEN DOOR IS CLOSED. PRESSURE DUE TO POOR ADJUSTMENT, WEATHER STRIPPING OR WARPING MAY CAUSE LATCHBOLT TO BIND.

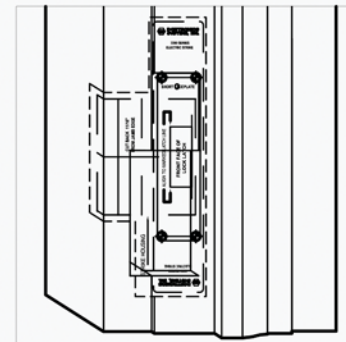
BE SURE THAT LATCHBOLT MOVES FREELY.



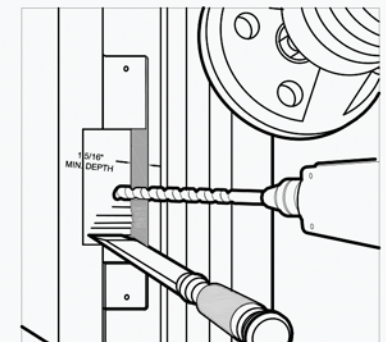
1 MEASURE LATCH POSITION



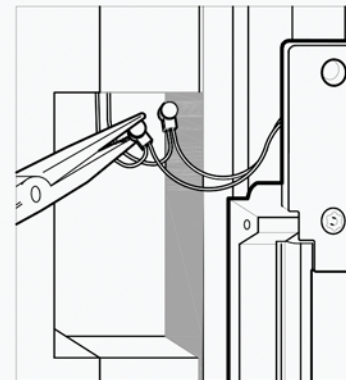
2 TRANSFER MEASUREMENT TO JAMB



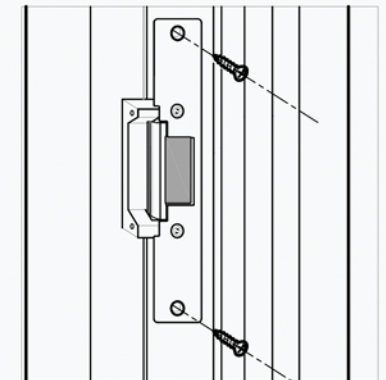
3 APPLY TEMPLATE TO JAMB
ALIGN WITH LATCH POSITION MARK.



4 USE TEMPLATE TO CUT OPENING
AND DRILL MOUNTING HOLES



5 CONNECT POWER LEADS IN PARALLEL
FOR 12 VDC OR SERIES FOR 24 VDC
SOURCE - SEE ABOVE



6 INSTALL STRIKE WITH WOOD
SCREWS PROVIDED.



3300xD CONVERTER

*****ONLY REQUIRED FOR 3300 WITH xD OPTION*****

THE 3300xD SERIES ELECTRIC STRIKE REQUIRES 12 VOLTS DC FOR RELIABLE OPERATION.

IT IS SHIPPED WITH A POWER CONVERTER THAT ACCEPTS 12-24 VDC AND OUTPUTS 12 VDC. THIS IS USEFUL FOR PRE-EXISTING SYSTEMS OR SYSTEMS WITH MULTIPLE LOCK TYPES.

IF THE CONVERTER CAN NOT BE ACCOMMODATED IN THE DOOR JAMB, IT MAY BE MOUNTED REMOTELY.

FOR 3300xD SERIES STRIKE WITH DOOR SENSING SWITCH. THE COLOR CODE FOR THE SWITCH LEADS IS:

- BLUE - N.O.
- GREEN - COMMON
- YELLOW - N.C.

N.O. CONTACTS (BLUE & GREEN WIRES) ARE CLOSED WHEN DOOR IS SECURE.

