



## 43211-CB COMMUNICATING BATH CONTROLLER

The 4300 series 2-Door interlock controller is an inexpensive alternative to provide privacy for bathrooms with common access through two doors. Once the bathroom is occupied and both doors are closed, pressing either Privacy pushbutton locks both doors and turns on an “Occupied” light outside each door. If the occupant requires assistance for any reason, pressing the Emergency pushbutton unlocks both doors. In normal use, opening either door from the inside unlocks both doors, extinguishes the Occupied light and the system is ready for the next occupant.

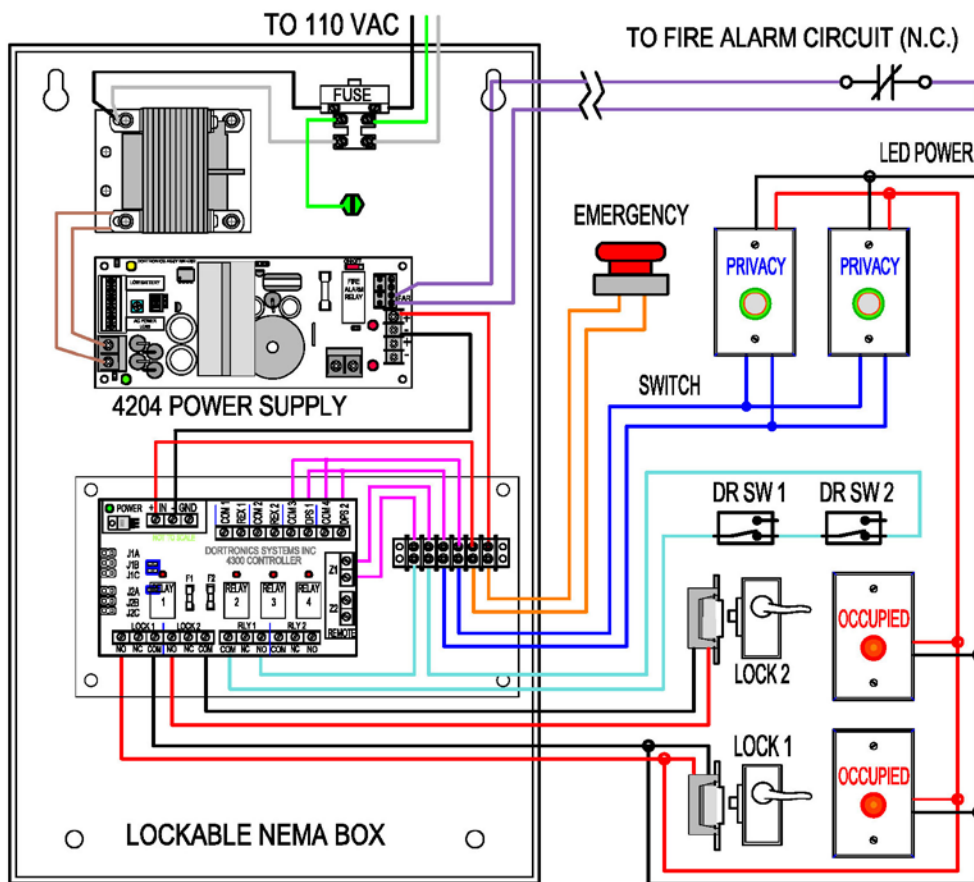


FIG. 1 CONTROLLER DIAGRAM

## HOOKUP

Wiring between the 4321-CB CONTROLLER and a six position terminal strip is installed at the factory. Wiring in the field is connected to the terminal strip and the output terminals for relay one as shown in Figure 1. If magnetic locks are used, two additional switches are required to cut power to the maglocks when the occupant wants to exit the bathroom. See Figures 3 and 4 below.

**Note: if an emergency release switch is not used, the emergency terminals must be shorted with a jumper wire.**

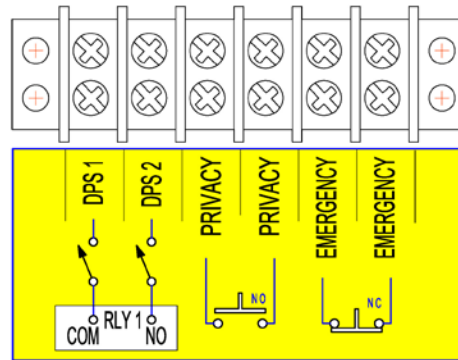


FIG. 2 Terminal Block Assignments

## LOCKS

Connected to the controller lock outputs. **These are powered outputs – do not short circuit.** Electric strikes should be set to Fail Safe. Use the normally open outputs. The locks are engaged when the relay is energized.

**Note:** If maglocks are used, additional release switches must be added inside the bathroom to cut power to the maglocks to exit. The maglock release switches can be used to cut power directly by being connected in series with the lock power (Fig 5) or may be inserted in the door position circuit to unlatch the lock circuit (Fig 4) - see alternate connections below.

**LEDs** to indicate that the room is occupied are connected in parallel with the locks so that when the locks are energized, the LED will be lighted.

Privacy switch lighted indicator – if used, is also connected in parallel with the lock outputs. Since the locks always work as a pair, it doesn't matter which outputs are used for the occupied or privacy LEDs.

## DOOR POSITION SWITCHES

Door switch contacts must be closed when the door is secure. Twisted pair wiring – AWG gauge 22 or larger is recommended.

## PRIVACY PUSHBUTTON SWITCHES

Switches must be normally open, momentary contact. One switch inside the bathroom is all that is required, however two switches can be used if connected in parallel as shown in Fig 1 above.

## FIRE ALARM EMERGENCY EGRESS

The 4204 power supply features a Fire Alarm Relay interface that cuts power to the locks and the controller when the fire alarm circuit opens due to the activation of a pull box or similar component. This is in addition to the Panic release.

## PANIC UNLOCK

The panic release is activated by an individual inside the locked bathroom. On activation (momentary contact), Privacy mode is canceled and both doors are unlocked for immediate egress or to allow for help to enter if assistance is required. The system returns to idle mode, ready for the next privacy request.

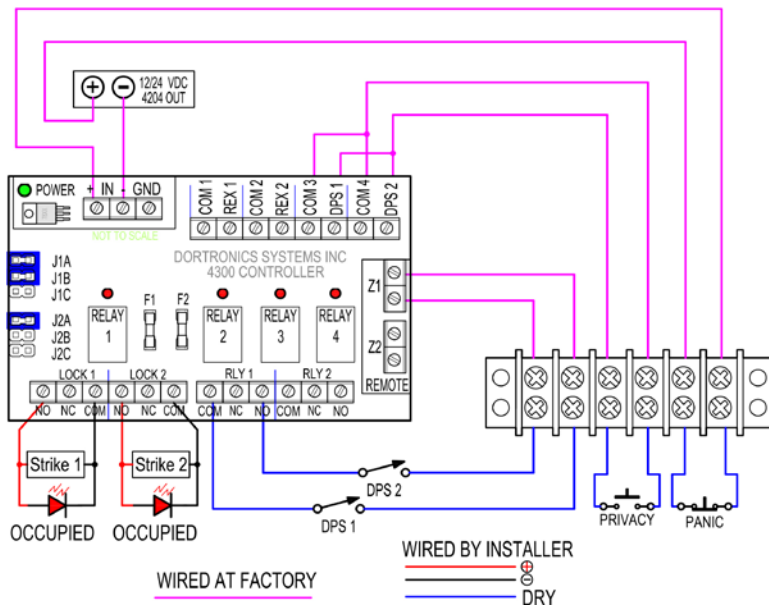


FIG. 3 Electric Strike Hookup

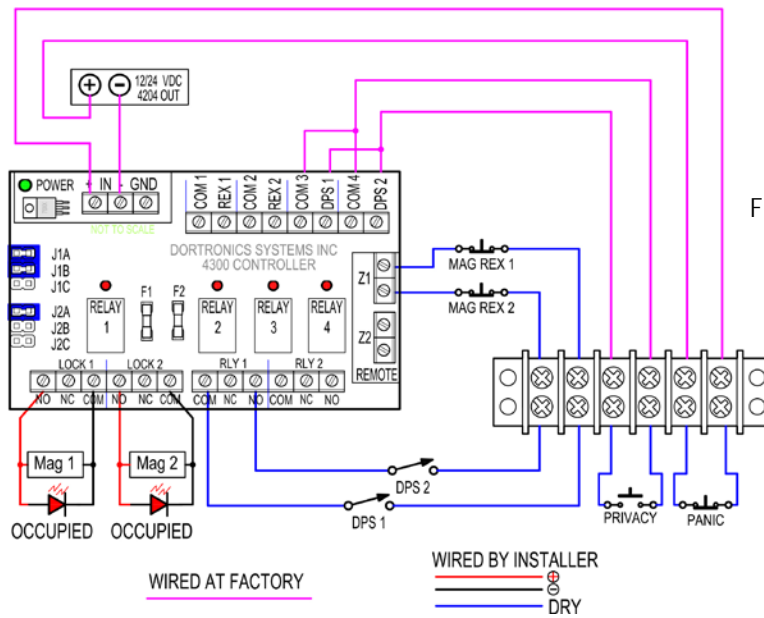


FIG. 4 Mag Lock Hookup

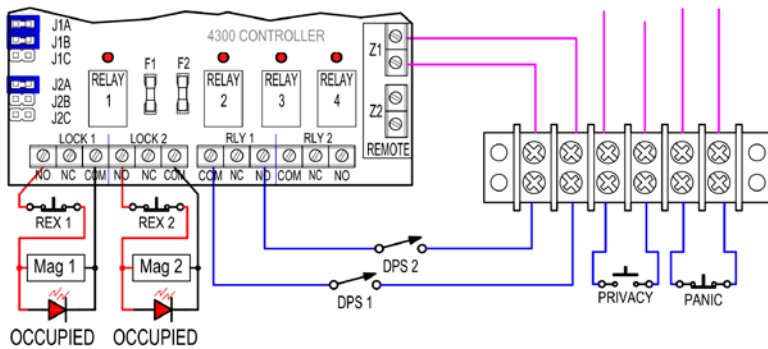


FIG. 5 Alternate Mag Lock Hookup

**Caution: Do not short the powered outputs!** If a fuse blows, determine and correct the cause before replacing it with the proper value - **1.6 Amp** quick blow.

RECOMMENDED EQUIPMENT	DORTRONICS PART #
1200 lb electromagnetic 12/24 VDC maglocks with built-in door position switch.	1110xDxB
Electric Strike 12 or 24 VDC adjustable with integral door switch	3300xD & 3301xD
High intensity Red / Green LEDs on single gang S/S wall plate.	7201xL2-H
High intensity Red / Green LEDs with piezo sounder on double gang S/S wall plate. (Optional for use with security breach alarm output.)	7202xL2-HxCS

OPTIONS	USEFUL ADDITIONS FOR ENHANCED SECURITY	DORTRONICS PART #
<b>Auxiliary DPDT Dual Pack</b>	Auxiliary DPDT relay pair may be driven directly by powered outputs to provide additional switching capacity, may be connected to non-powered outputs and supply to mirror lock status to multiple remote devices, or may be used to convert wet contacts at input to dry contacts.	4802001
<b>Keyed Maintained Contact Mushroom Switches</b>	The Dortonics 5200 series of mushroom switches are available keyed and non-keyed. They may be connected to the Remote inputs to provide an interlock override for immediate egress regardless of door status.	5200 Series
<b>4 Amp Power Supply</b>	For double door, or paired maglock installations, the 4 Amp power supply is recommended	4202-4
<b>Battery Backup</b>	7 Amp hour battery backup for locks and controller fits in the enclosure and can provide up to 6 hours of continuous security during power outages. Batteries may be ganged for longer backup times.. Battery is continually trickle charged when power is provided to the system.	XBATT
<b>AT and ET Timer Modules</b>	Allow for timing functions fully adjustable between 1-60 sec.	AT or ET Timer

**SPECIFICATIONS**

	Qty	Description	Remarks
Power Supply		12 or 24VDC selectable, with switched outputs, non-switched outputs and battery trickle charge outputs.	3 - Screw Terminals
Inputs	4	Digital 9 - 32 VDC rating use dry contact only	Screw Terminals
Outputs	2	SPDT Powered outputs for direct connection to locks and lights.	Screw Terminals
	2	SPDT non-powered relay outputs - rated 1.6 Amps @ 30 VDC	Screw Terminals Option
Temperature		Operating 0-60° C	
Dimensions		3" W x 5" L x .75" H	
Current		40 mA @ 24 Volts. Controller only	





## SALES - WARRANTIES

### Contact (Sales):

Mike Palermo – Sales/Customer Service

Stuart Arthur – Sales/Applications Specialist

Bryan Sanderford - National Sales Manager

Contact (Technical):

Joe Hanna – Engineer/Applications Specialist

Kevin King – Engineering Support

Contact (Credit):

Teri Harbo – Accounting; New Customer Accounts



### Product Warranties:

All electromagnetic locks have a **LIFETIME GUARANTEE** against defects in material and workmanship. Defective units will be replaced or repaired based upon incoming evaluation and inspection.

All other Dortronics components of the Electric Locking System shall be similarly warranted for a period of one year. Expressed warranties are conditionally based on the requirement that the items covered within the guarantee are used and maintained in accordance with the manufacturer's recommendations.

A Return Authorization Number must be obtained and accompany all returns within 14 days of issue. Unused items returned for credit must be complete and packed in original unit box and are subject to a 15% restocking fee. Any shipping or order discrepancies must be reported within 5 days of receipt.

[www.dortronics.com](http://www.dortronics.com)