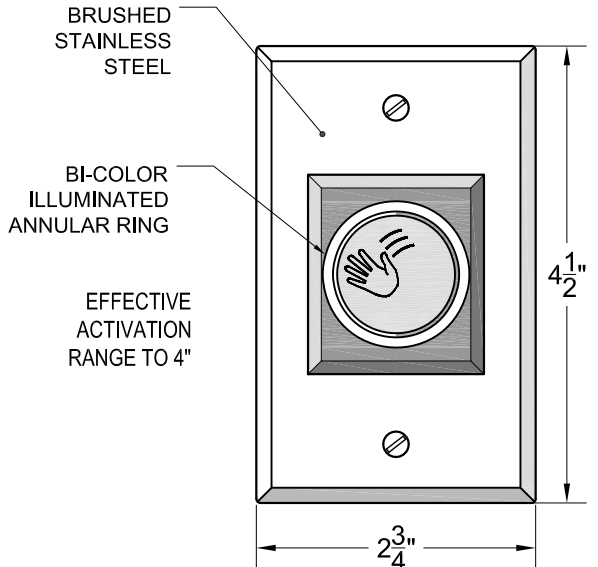


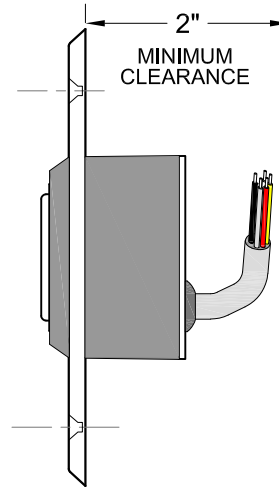
5278 TOUCH-LESS SWITCH



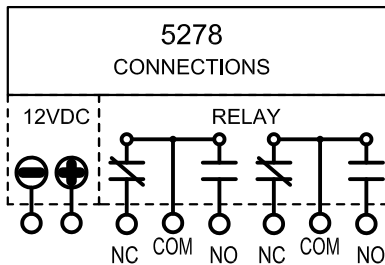
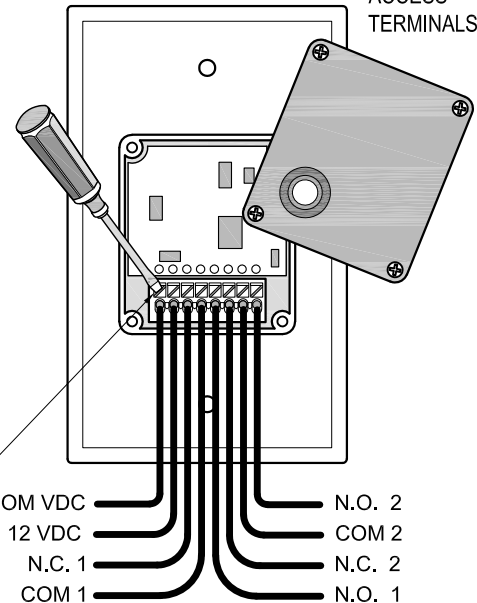
REMOVE COVER TO ACCESS TERMINALS



SPECIFY OPTION "D" FOR 2 GANG PLATE MOUNTING (4 1/2" X 4 1/2")



PRESS LOCK TERMINALS PRESS TAB IN TO INSERT OR REMOVE WIRE.



SPECIFICATIONS

Momentary Action:

Supply Voltage: **12 VDC**

Dry Contact Rating: **3 Amps @ 30 VDC or 120 VAC**

Current Draw: **25 mA Standby, 65 mA Active Relay**

Detection Range: **4" (10 cm)**

Temperature Rating: **4° F to 130° F (-20° C to 55° C)**

Wire Length Supplied: **6"**

REV 12/08/21 added current draw

JTF

PAGE 1 OF 1

5278 TOUCH-LESS SWITCH

DATE: 06/08/12

BY: JFH

CONNECTIONS AND MOUNTING



DORTRONICS SYSTEMS, INC.
SAG HARBOR, NY
800-906-0137