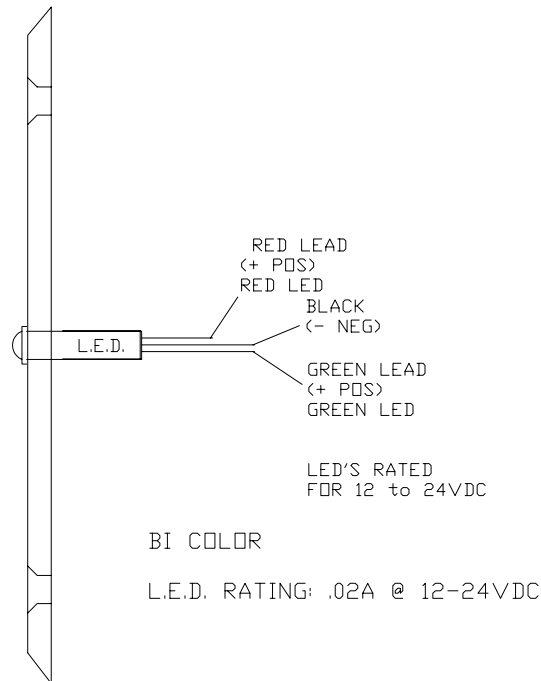
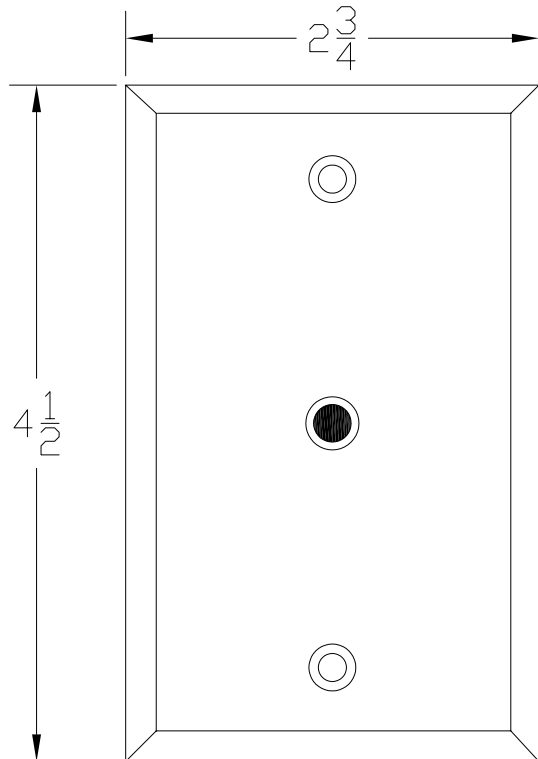


1 GANG PLATE W/LED

7201XL1



TOLERANCES, (NON-ACCUM):
(UNLESS SPECIFIED)

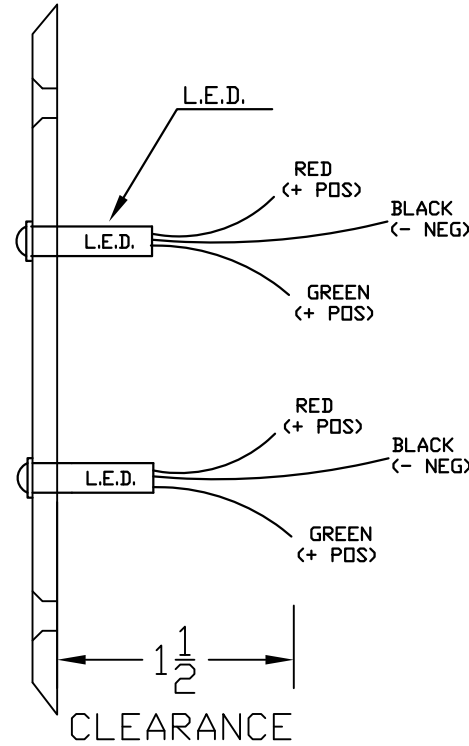
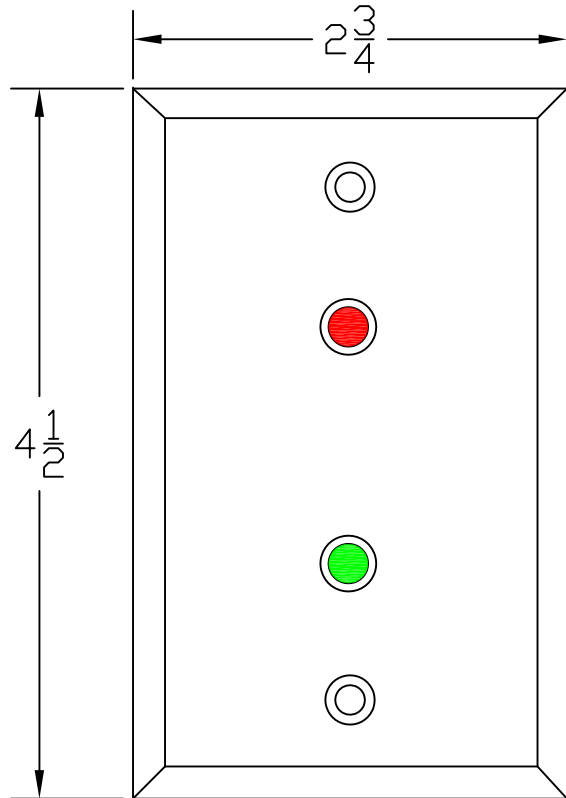
.XXXXX	: +/- .0025
.XXXX	: +/- .005
.XXX	: +/- .010
.XX	: +/- .015
FRACT	: +/- 1/64
ANGLES	: +/- 1/2 DEG

TITLE				
MATERIAL STAINLESS STEEL				
FINISH SATIN STAINLESS			SHEET 1 OF 1 SIZE A	
DRAWN JTF	DATE 4/27/04	SCALE TO FIT	DWG. NO.	
APPR. XXX	DATE XX/XX/XX	UNITS INCHES	7201XL1 -	

REV	REVISION DESCRIPTION	DATE
-	-	-

1 GANG PLATE WITH 2 LED'S
BI-COLOR RED & GREEN

7201XL2



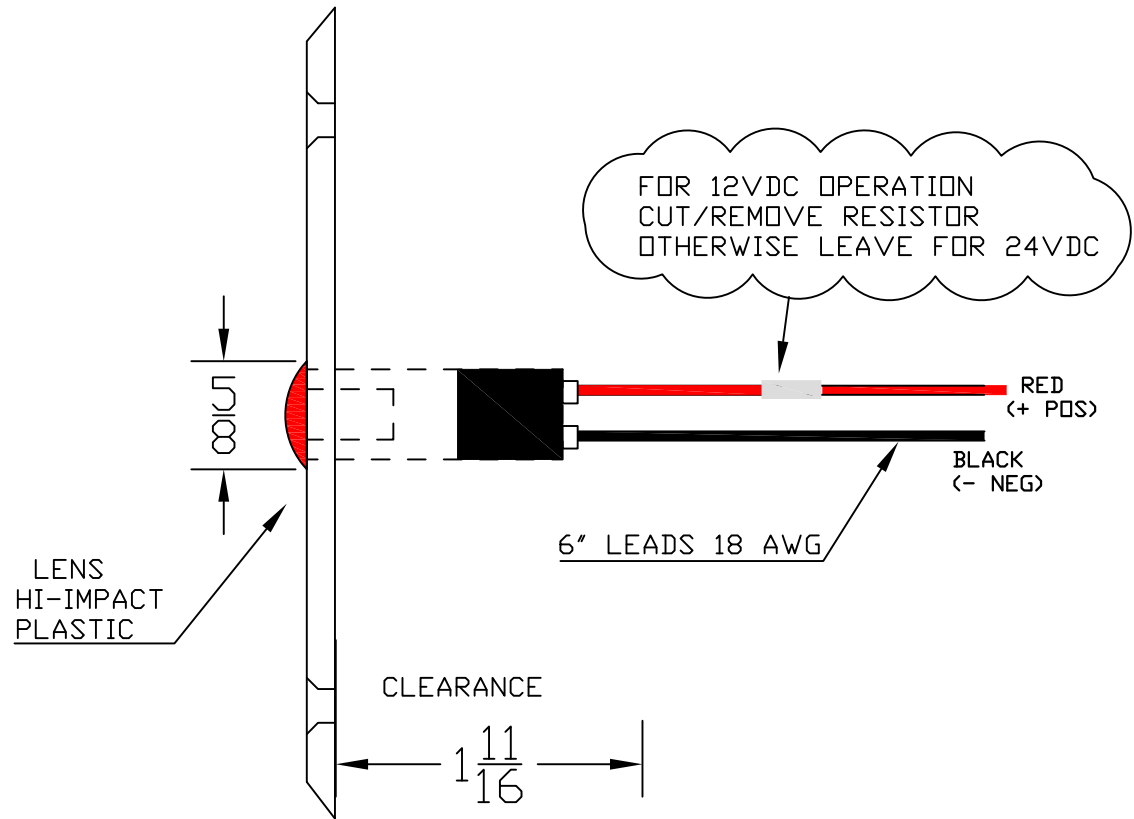
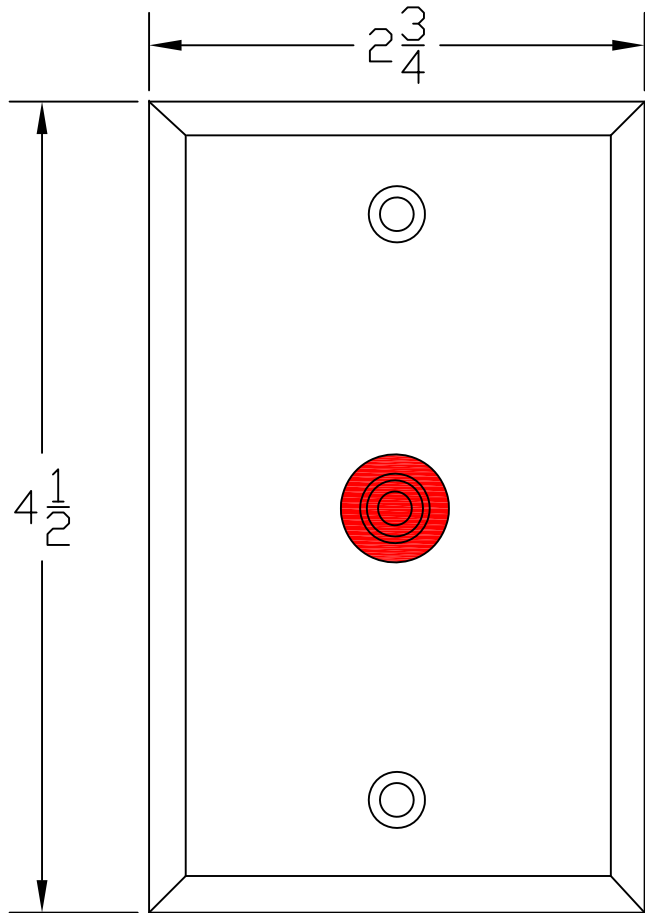
BI-COLOR LED'S



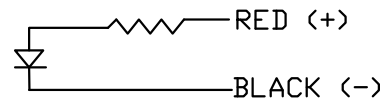
			TOLERANCES, (NON-ACCUM): (UNLESS SPECIFIED)		TITLE 1 GANG PLATE WITH 2 LED'S BI-COLOR RED & GREEN			
			.XXXXX : +/- .0025		MATERIAL 302 STAINLESS STEEL		CAD FILE 7201XL2	
			.XXXX : +/- .005		FINISH SATIN STAINLESS		SHEET 1 OF 1 SIZE A	
			.XXX : +/- .010		DRAWN JTF		DATE 1/14/14 SCALE TO FIT	
			.XX : +/- .015		APPR. XXX		DATE XX/XX/XX UNITS INCHES	
			FRACT : +/- 1/64				DWG. NO.	
			ANGLES : +/- 1/2 DEG				7201XL2 -	
REV	REVISION DESCRIPTION	DATE						

7201xL1-H

1 GANG STAINLESS STEEL PLATE
1 HI-INTENSITY LED



PART NUMBERS:
7201xL1G-H GREEN LED
7201xL1R-H RED LED



L.E.D. RATING: .04A @ 12-24VDC

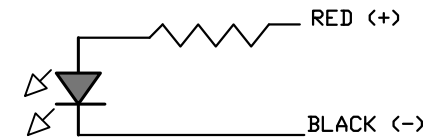
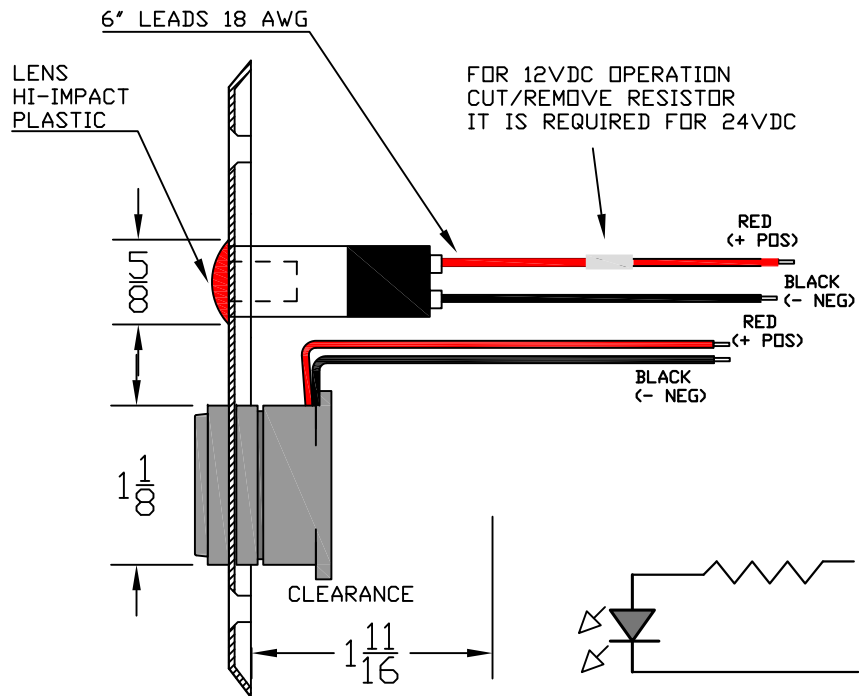
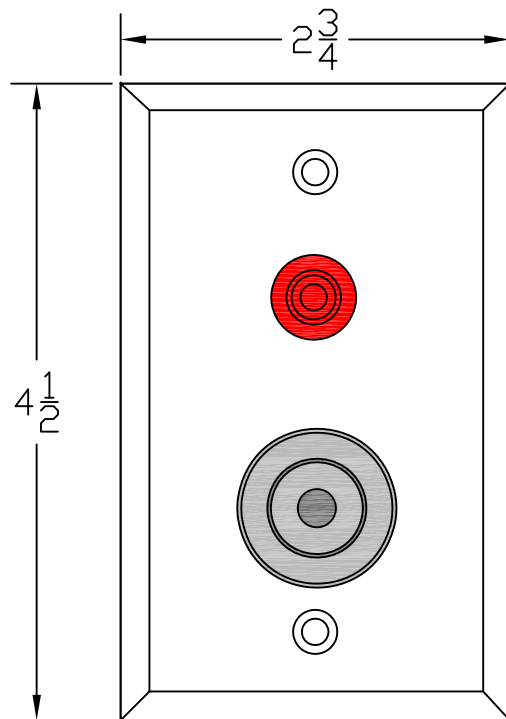


**DORTRONICS
SYSTEMS, INC.**

7201XL1-H HI-INTENSITY LED'S			
DATE	7/5/11	FILE	7201XL1-H
DRAWN	JTF	SHEET 1 OF 1	SIZE A

7201xL1R-HXCS

1 GANG STAINLESS STEEL PLATE
HI-INTENSITY LED
SOUNDER



L.E.D. RATING: .04A @ 12-24VDC



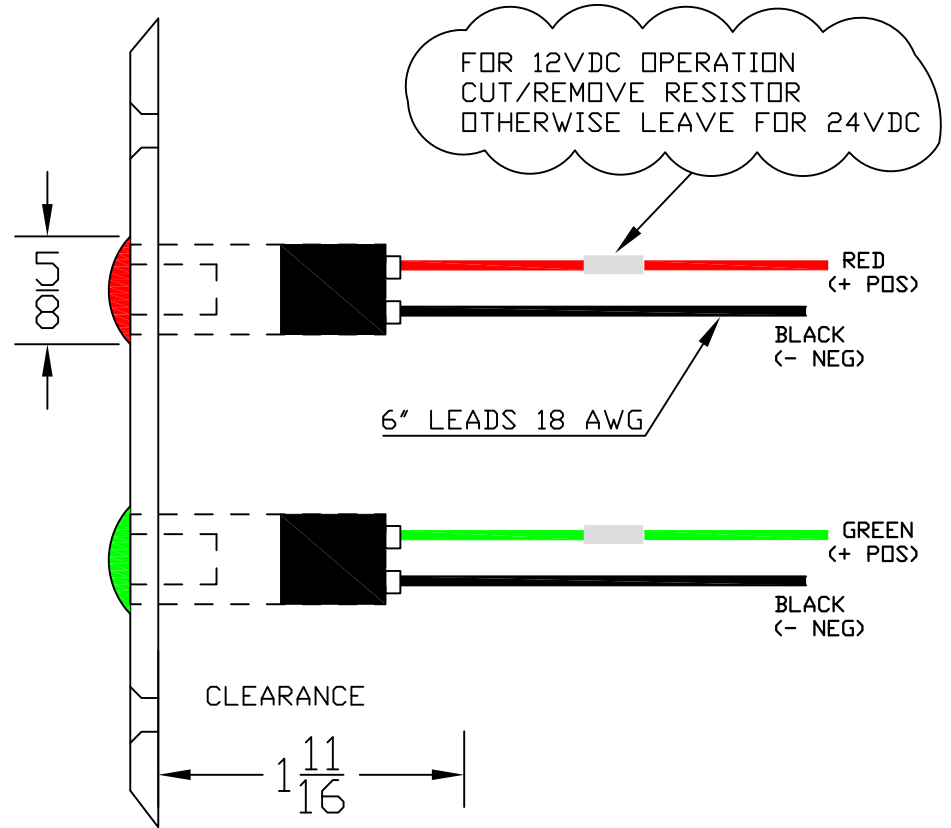
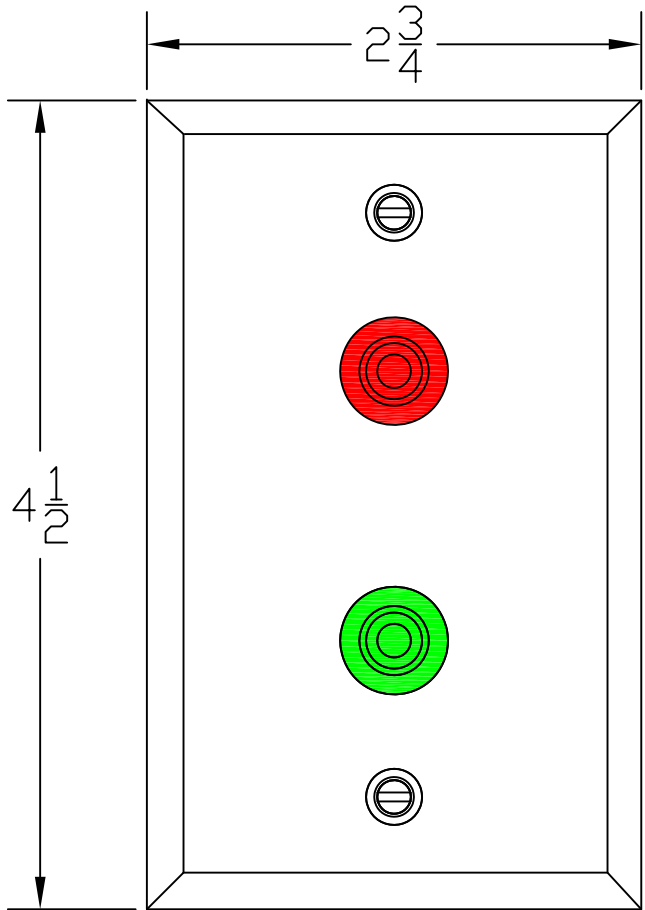
DORTRONICS
SYSTEMS, INC.

7201XL1R-HXCS HI-INTENSITY
LED WITH SOUNDER - INSTRUCTIONS

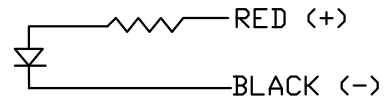
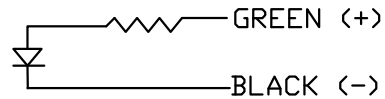
DATE	12/02/09	FILE	
DRAWN	JFH	SHEET 1	OF 1
		SIZE	

7201xL2-H


1GANG STAINLESS STEEL PLATE
2 HI-INTENSITY LED'S



NOTE:
LENS COLOR IS CLEAR
SHOWS RED OR GREEN
ONLY WHEN POWERED
MATERIAL=HI-IMPACT PLASTIC

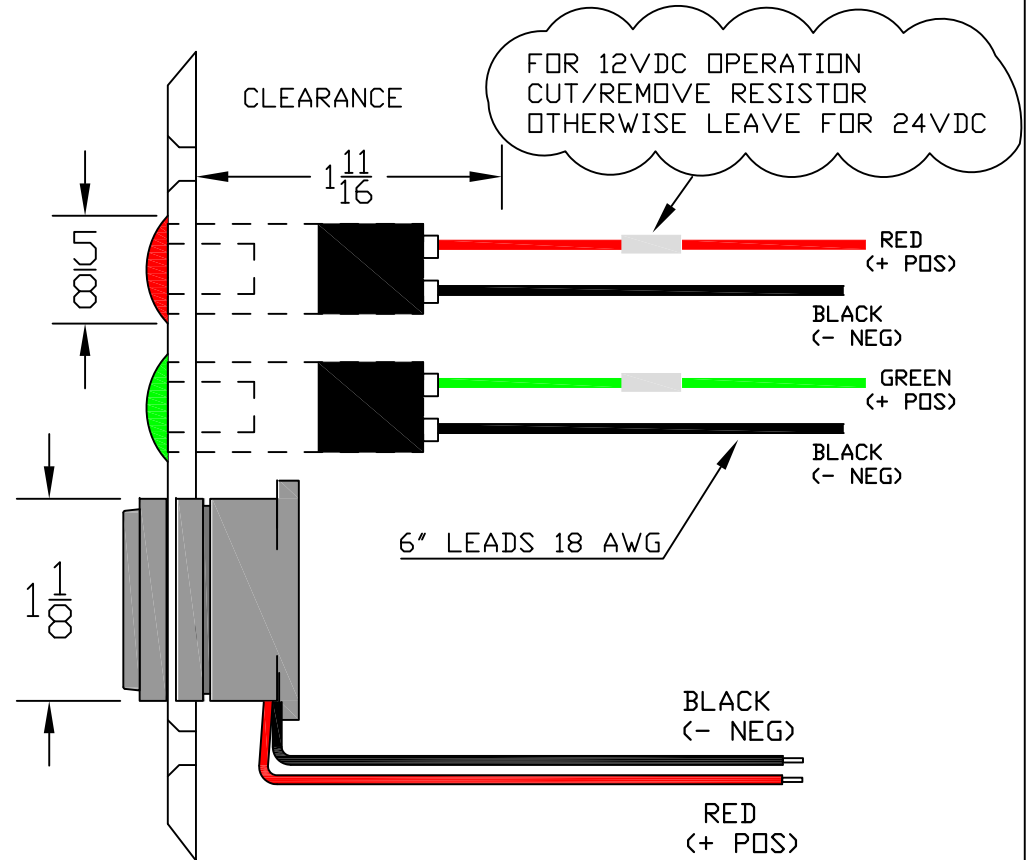
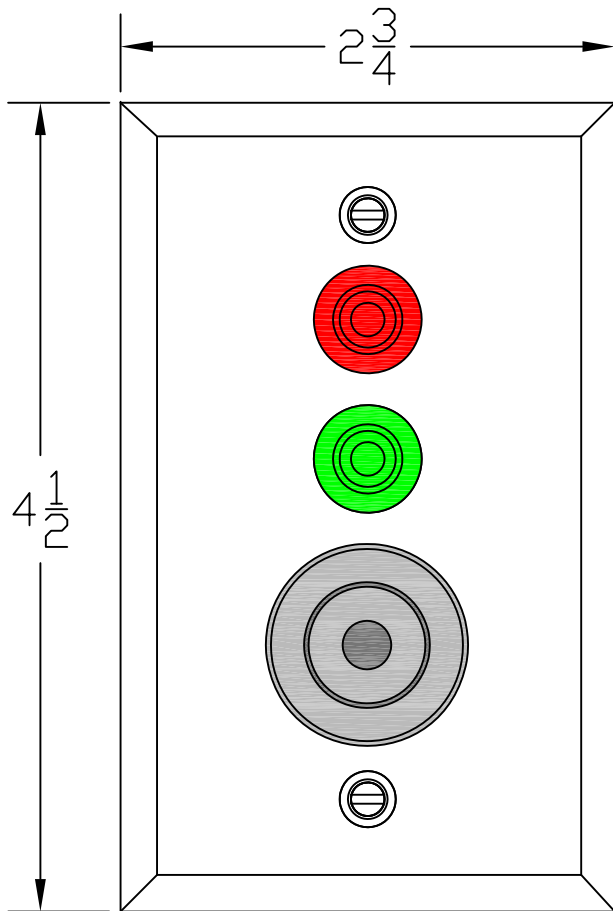


L.E.D. RATING: .04A @ 12-24VDC

 DORTRONICS SYSTEMS, INC.			
		7201XL2-H HI-INTENSITY LED'S	
DATE	8/13/11	FILE	7201XL2-H
DRAWN	SZ	SHEET	1 OF 1 SIZE A

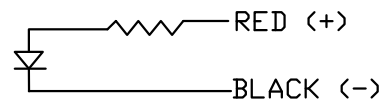
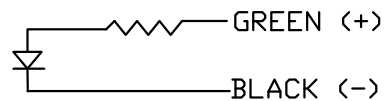
7201xL2-HxCS

1GANG STAINLESS STEEL PLATE
2 HI-INTENSITY LED'S, SOUNDER



PIEZO SOUNDER
RATED OPERATING VOLTAGE 3-28 VDC
MAX CURRENT 20 mA
OPERATING TEMP -40 TO +70 C
100 (dB) @ 100 cm

NOTE:
LENS COLOR IS CLEAR
SHOWS RED OR GREEN
ONLY WHEN POWERED
MATERIAL=HI-IMPACT PLASTIC



L.E.D. RATING: .04A @ 12-24VDC



**DORTRONICS
SYSTEMS, INC.**

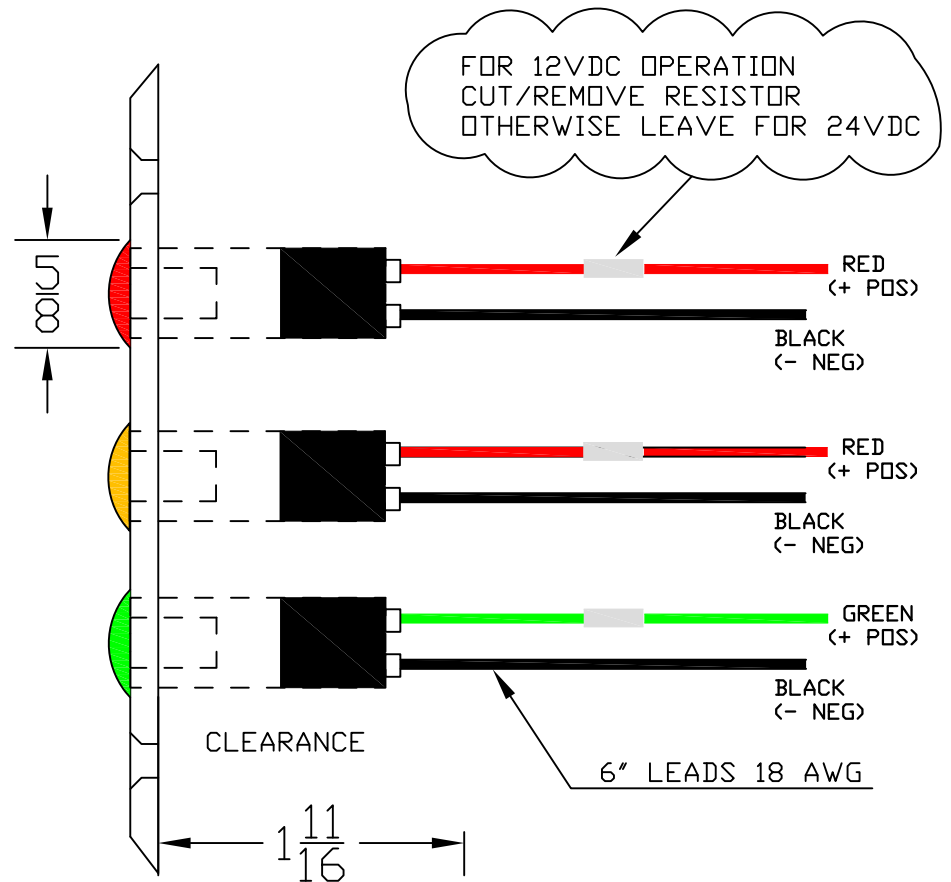
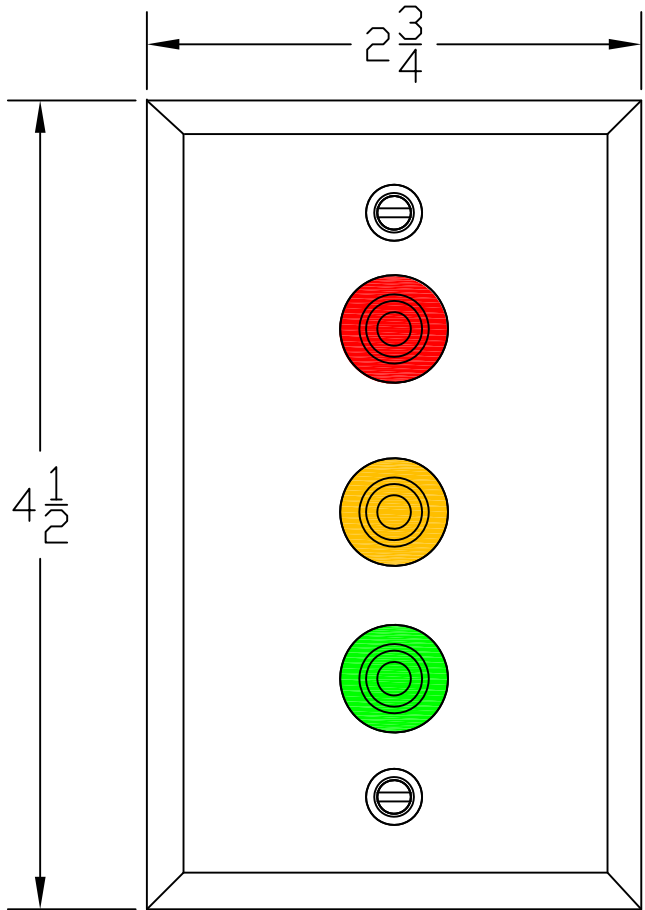
7201XL2-HXCS
HI-INTENSITY LED'S

DATE 5/29/19

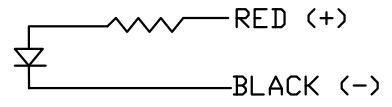
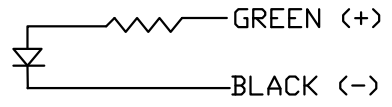
DRAWN JF

7201xL3-H

1GANG STAINLESS STEEL PLATE
3 HI-INTENSITY LED'S



NOTE:
LENS COLOR IS CLEAR
SHOWS RED, AMBER OR GREEN
ONLY WHEN POWERED
MATERIAL=HI-IMPACT PLASTIC



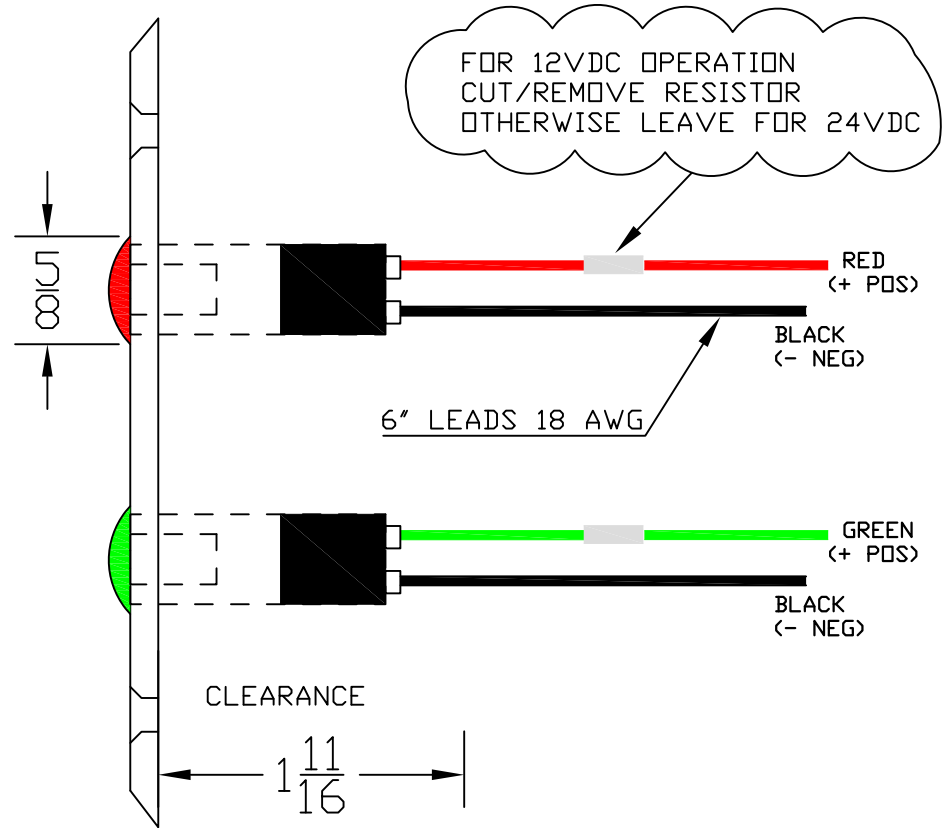
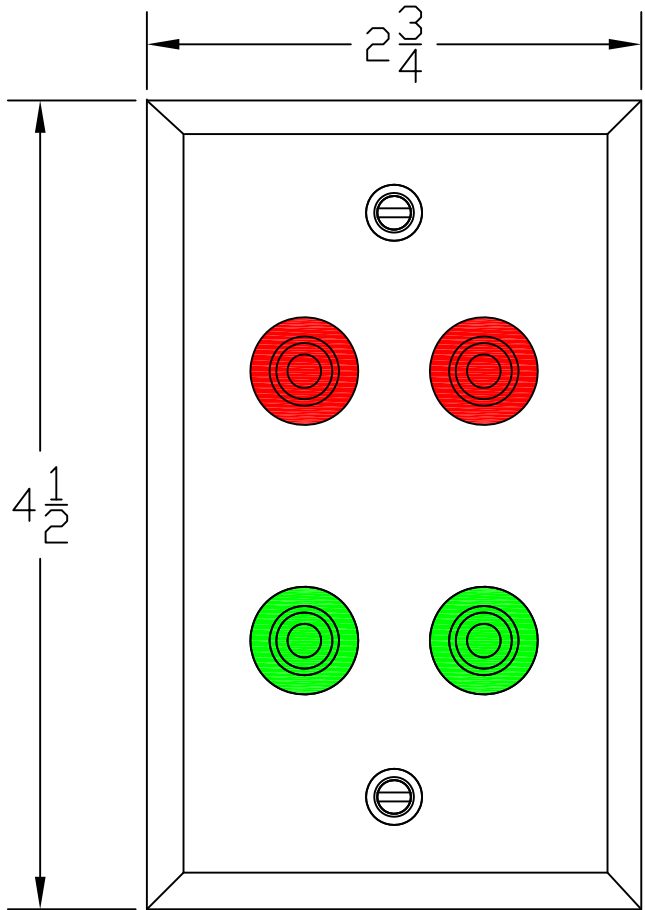
L.E.D. RATING: .04A @ 12-24VDC



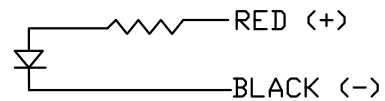
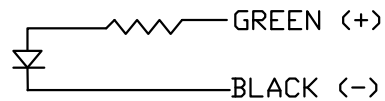
7201XL3-H HI-INTENSITY LED'S		
DATE	8/13/18	FILE 7201XL3-H
DRAWN	JF	SHEET 1 OF 1 SIZE A

7201xL4-H

1GANG STAINLESS STEEL PLATE
4 HI-INTENSITY LED'S




NOTE:
LENS COLOR IS CLEAR
SHOWS RED OR GREEN
ONLY WHEN POWERED
MATERIAL=HI-IMPACT PLASTIC



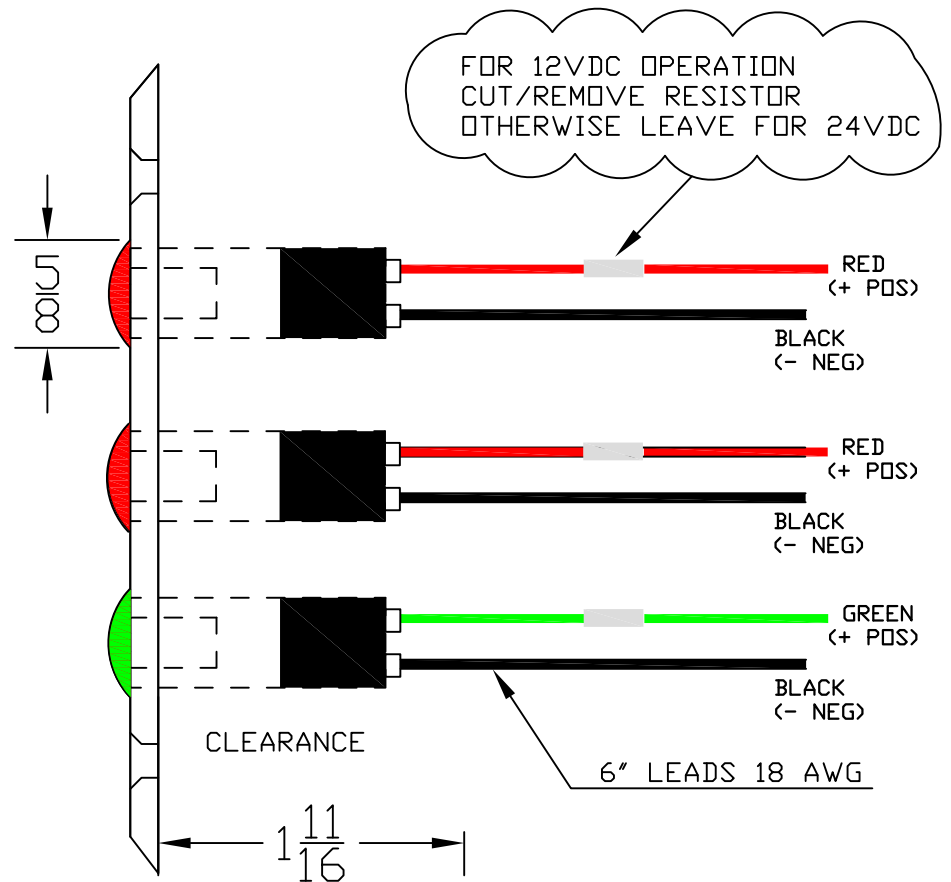
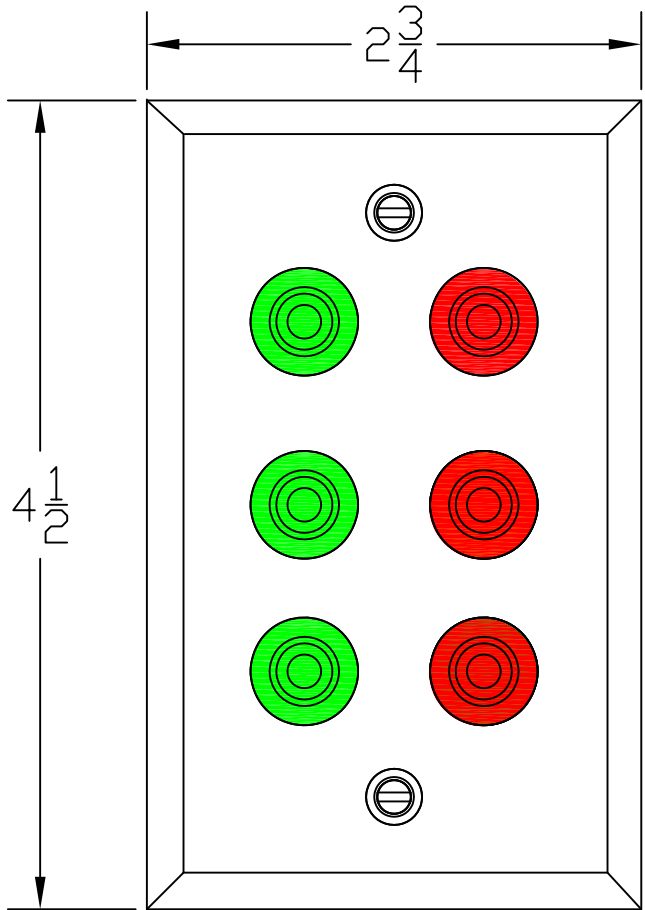
L.E.D. RATING: .04A @ 12-24VDC

FOR 12VDC OPERATION
CUT/REMOVE RESISTOR
OTHERWISE LEAVE FOR 24VDC

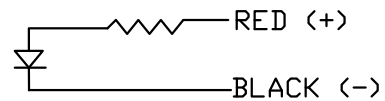
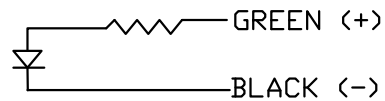
 DORTRONICS SYSTEMS, INC.			
		7201XL4-H HI-INTENSITY LED'S	
DATE	8/13/11	FILE	7201XL4-H
DRAWN	SZ	SHEET	1 OF 1 SIZE A

7201xL6-H

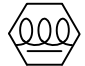
1-GANG STAINLESS STEEL PLATE
6 HI-INTENSITY LED'S



NOTE:
LENS COLOR IS CLEAR
SHOWS RED OR GREEN
ONLY WHEN POWERED
MATERIAL=HI-IMPACT PLASTIC

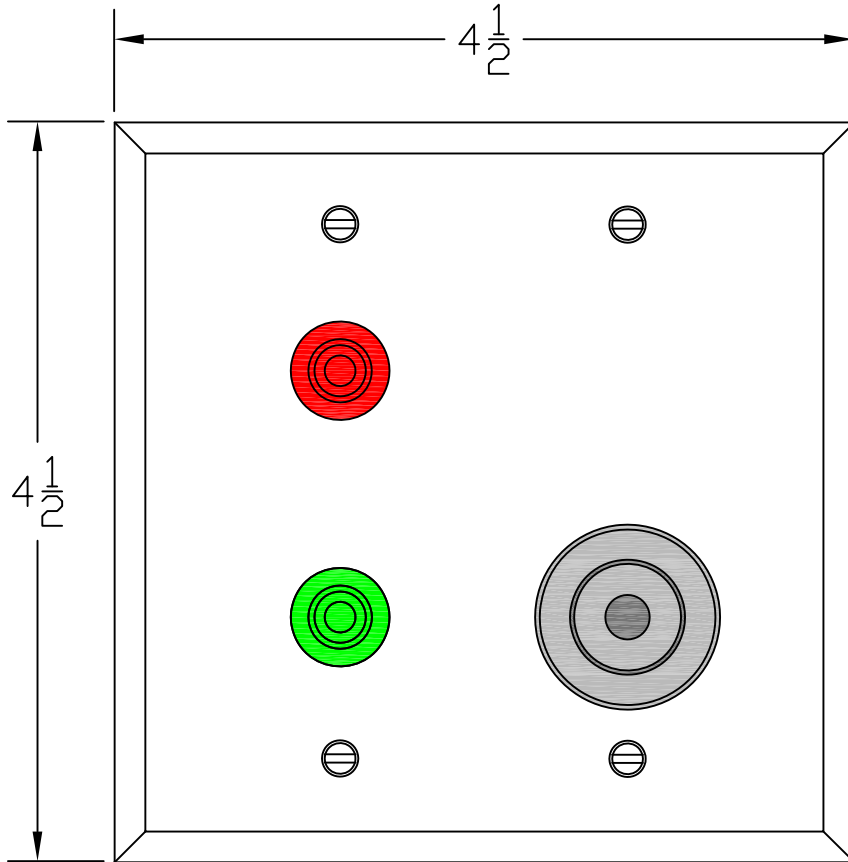


L.E.D. RATING: .04A @ 12-24VDC

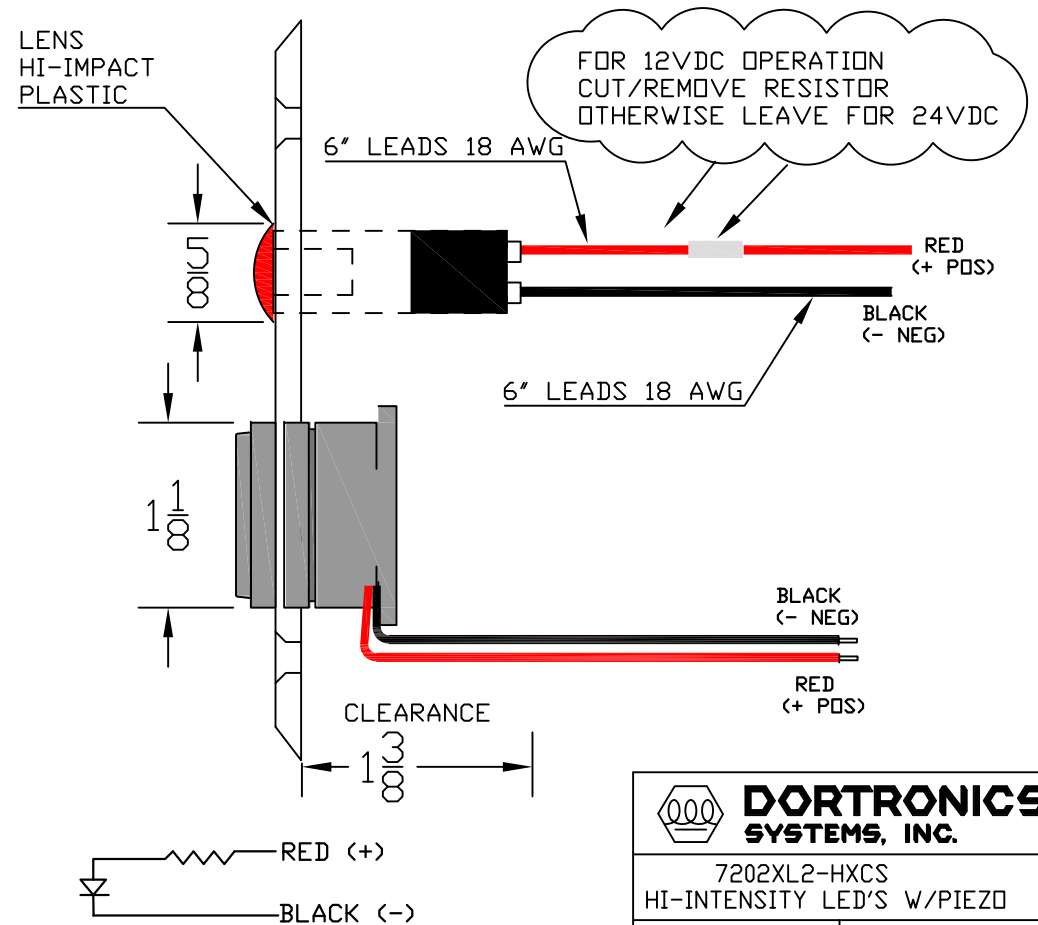
 DORTRONICS SYSTEMS, INC.			
		7201XL6-H SIX HI-INTENSITY LED'S	
DATE	2/13/21	FILE	7201XL6-H
DRAWN	SZ	SHEET	1 OF 1 SIZE A


7202xL2-HxCS

2 GANG STAINLESS STEEL PLATE
2 HI-INTENSITY LED'S & PIEZO SOUNDER



L.E.D. RATING: .04A @ 12-24VDC
 PIEZO SOUNDER
 RATED OPERATING VOLTAGE 3-28 VDC
 MAX CURRENT 20 mA
 OPERATING TEMP -40 TO +70 C
 100 (dB) @ 100 cm



 DORTRONICS SYSTEMS, INC.			
		7202XL2-HXCS HI-INTENSITY LED'S W/PIEZO	
DATE	1/23/14	FILE	7202XL2-HXCS
DRAWN	JTF	SHEET	1 OF 1 SIZE A

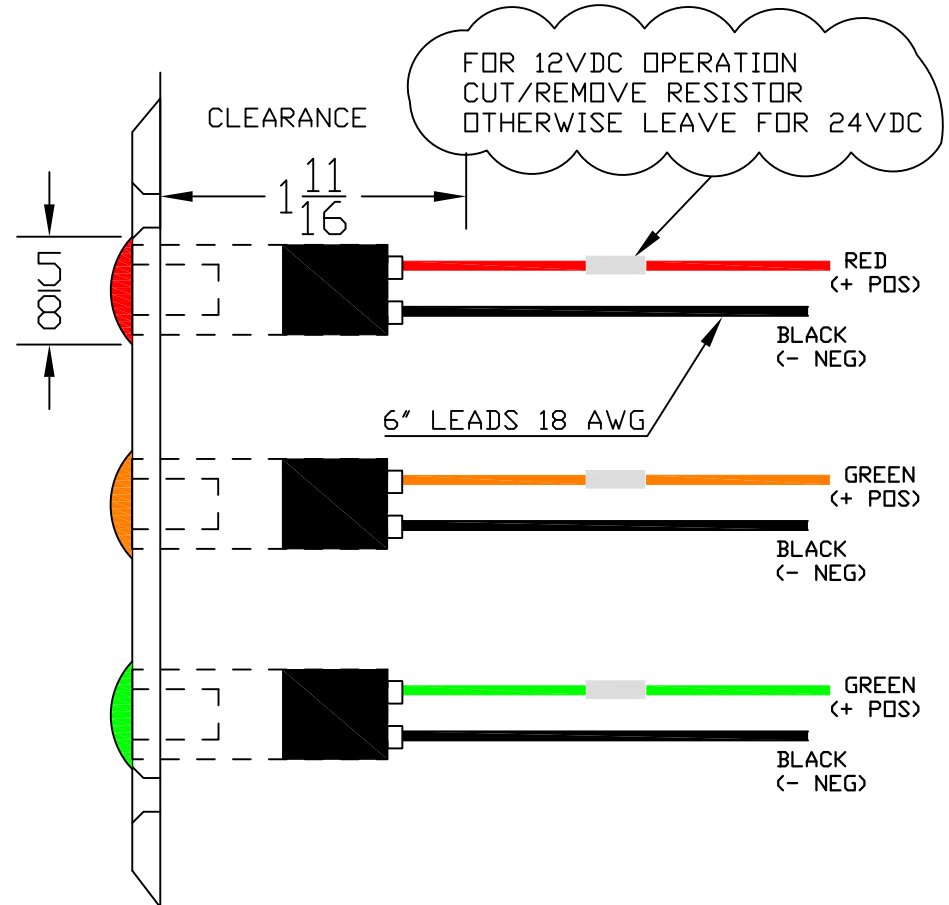
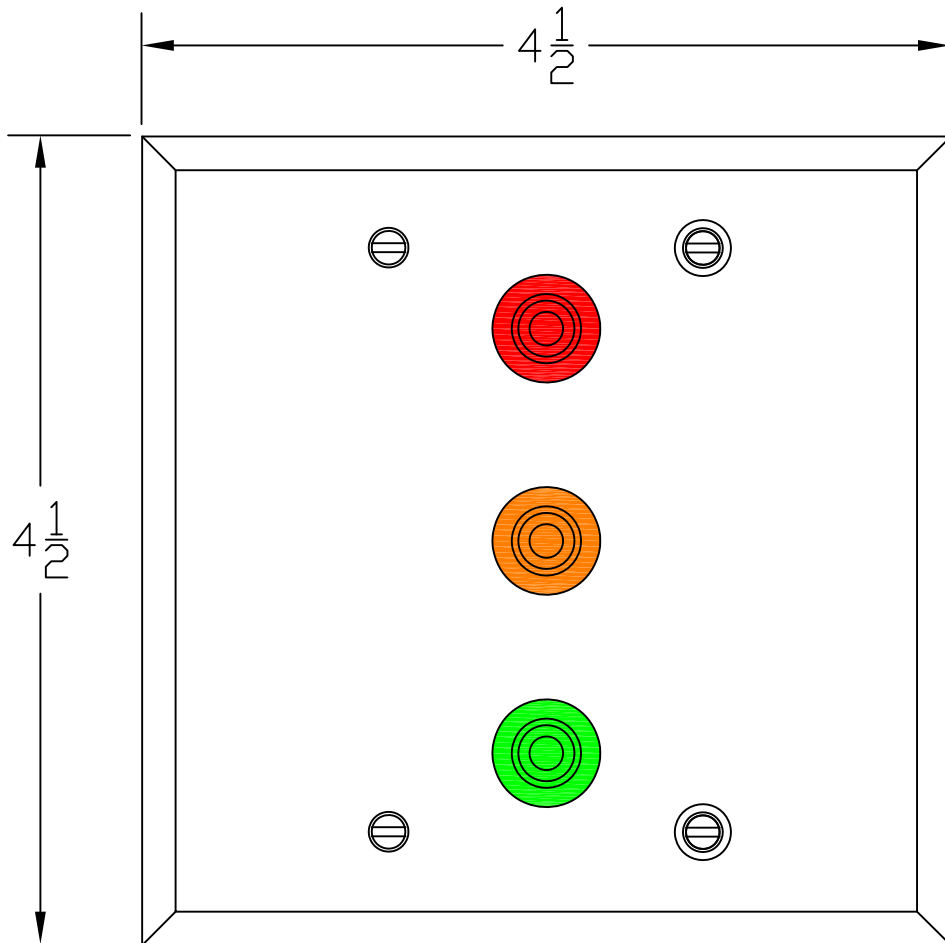
7202xL3-H



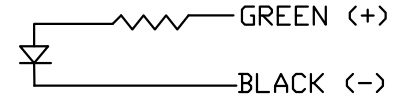
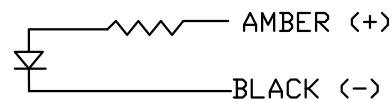
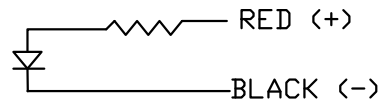
DORTRONICS SYSTEMS, INC.

1668 Sag Harbor Tpke., Sag Harbor, NY 11963 (800) 906-0137 (631) 725-8148 Fax www.dortronics.com

2 GANG STAINLESS STEEL PLATE
3 HI-INTENSITY LED'S



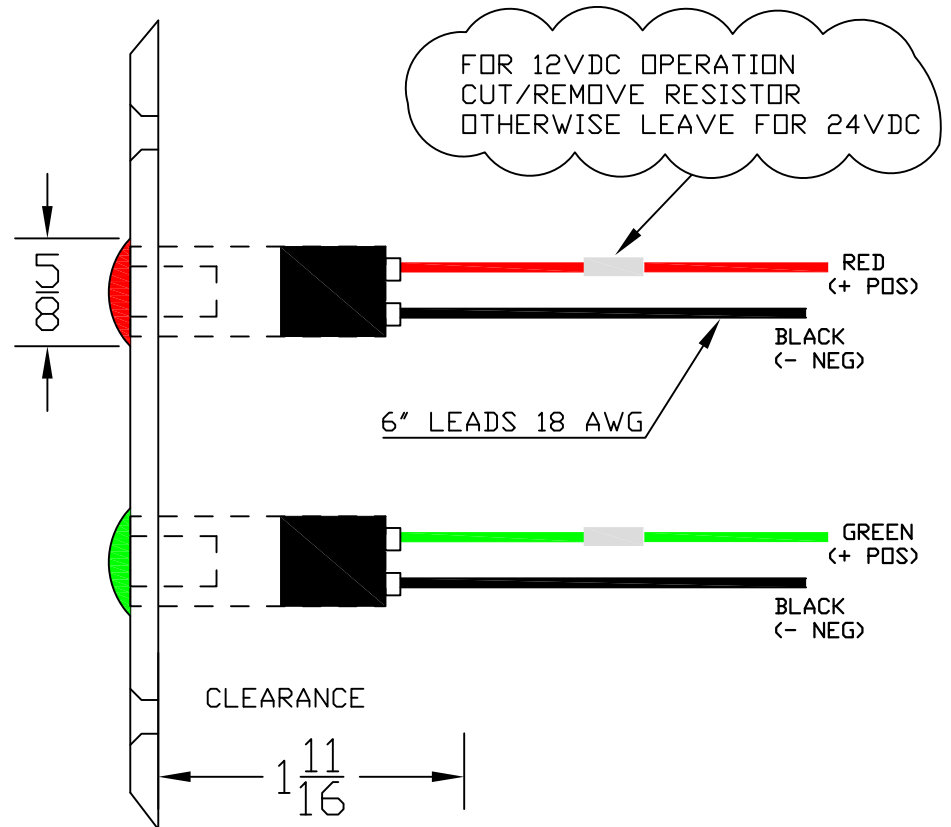
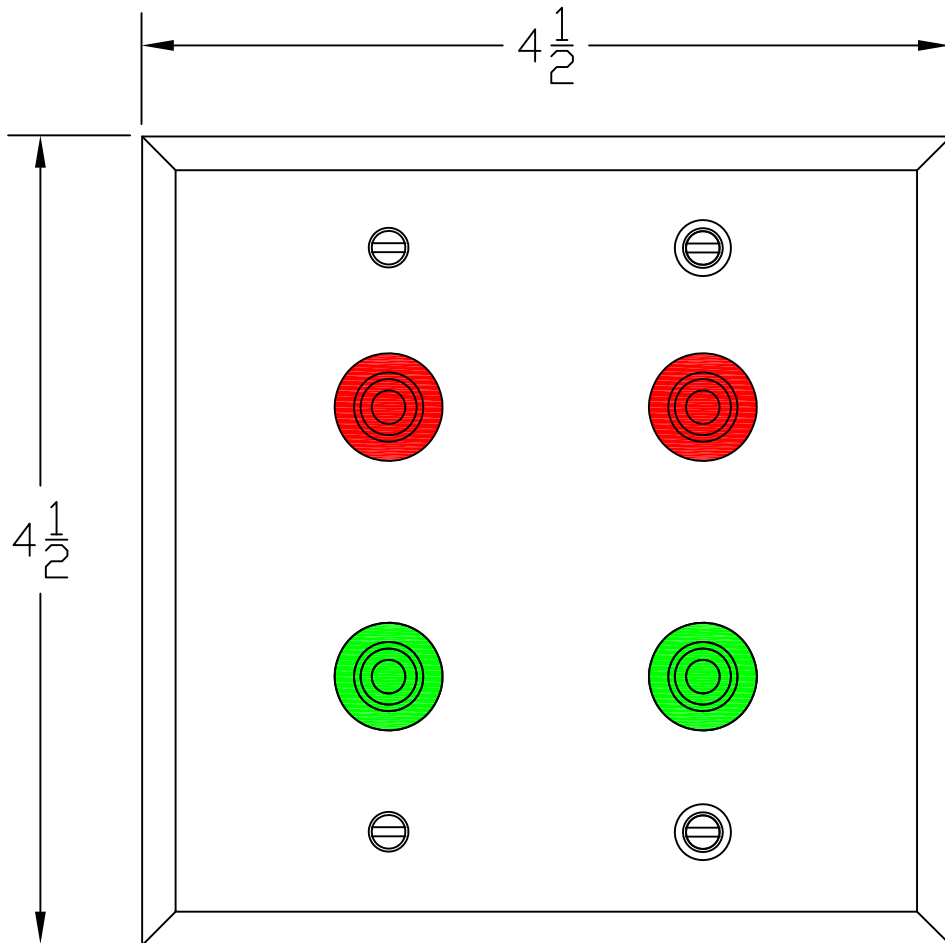
NOTE:
LENS COLOR IS CLEAR
SHOWS COLOR
ONLY WHEN POWERED
MATERIAL=HI-IMPACT PLASTIC



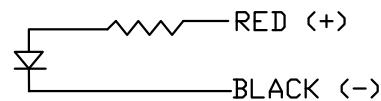
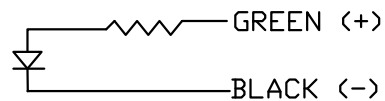
L.E.D. RATING: .04A @ 12-24VDC

7202xL4-H

2 GANG STAINLESS STEEL PLATE
4 HI-INTENSITY LED'S



NOTE:
LENS COLOR IS CLEAR
SHOWS RED OR GREEN
ONLY WHEN POWERED
MATERIAL=HI-IMPACT PLASTIC



L.E.D. RATING: .04A @ 12-24VDC



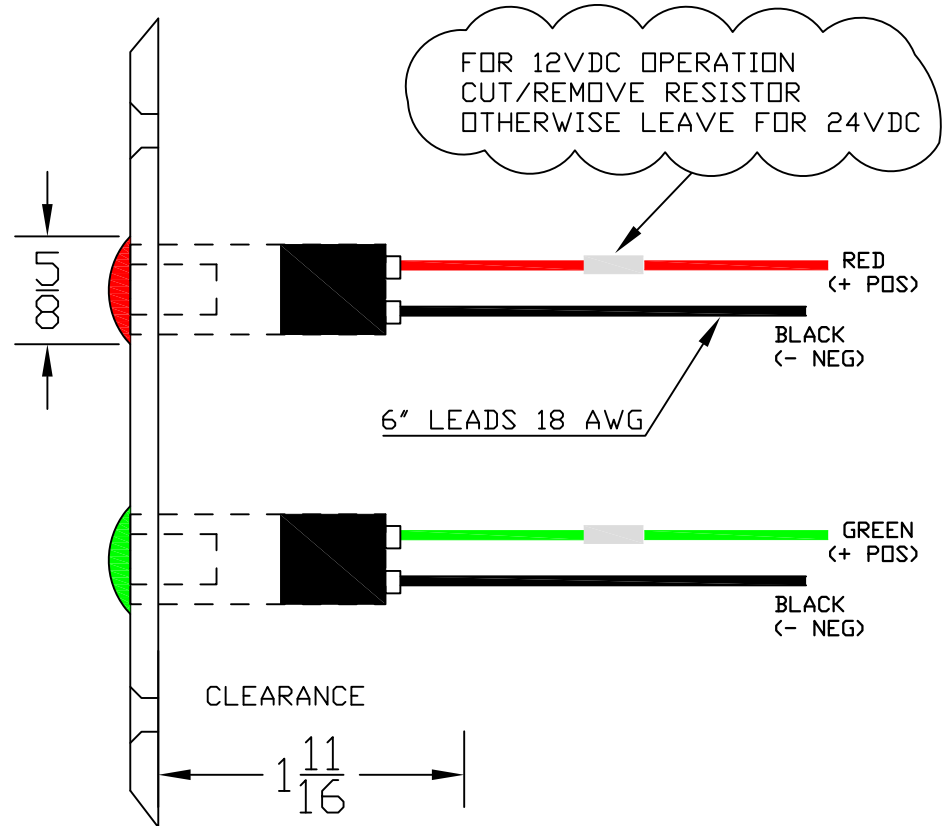
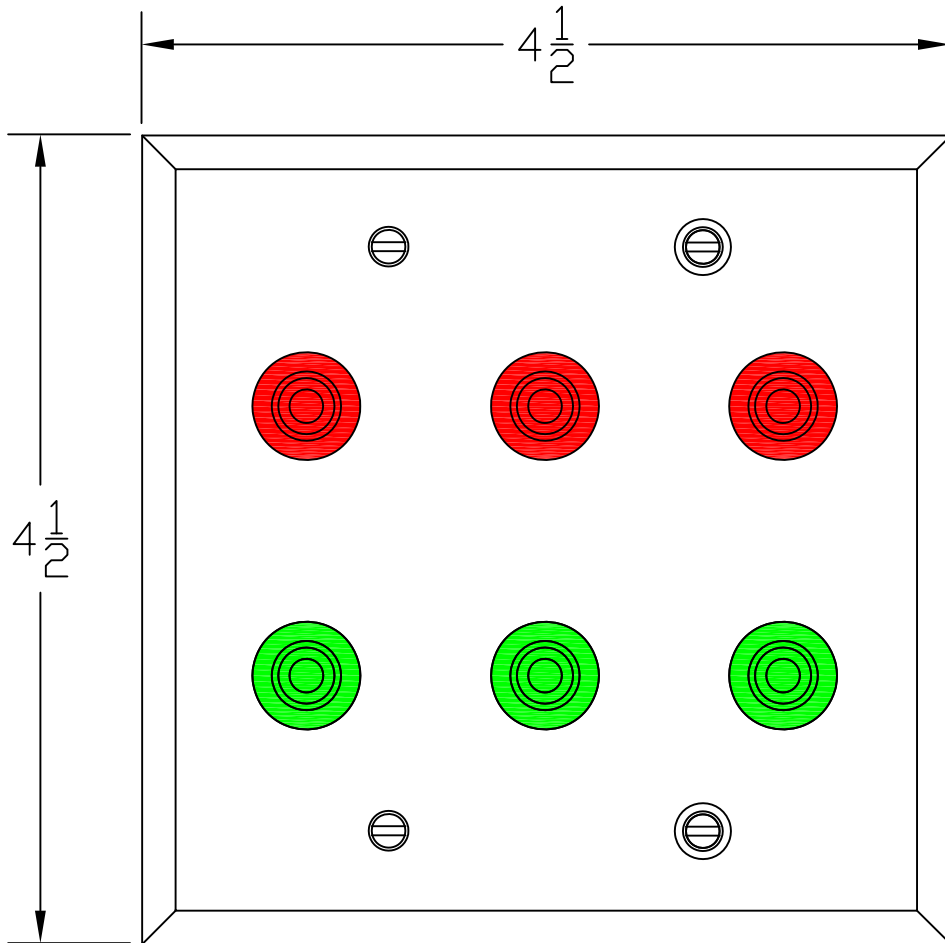
**DORTRONICS
SYSTEMS, INC.**

7202XL4-H
HI-INTENSITY LED'S

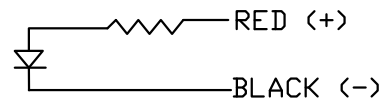
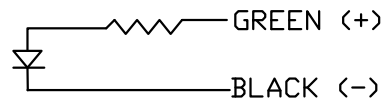
DATE	6/11/13	FILE	7202XL4-H
DRAWN	JTF	SHEET	1 OF 1 SIZE A

7202xL6-H

2 GANG STAINLESS STEEL PLATE
6 HI-INTENSITY LED'S



NOTE:
LENS COLOR IS CLEAR
SHOWS RED OR GREEN
ONLY WHEN POWERED
MATERIAL=HI-IMPACT PLASTIC



L.E.D. RATING: .04A @ 12-24VDC



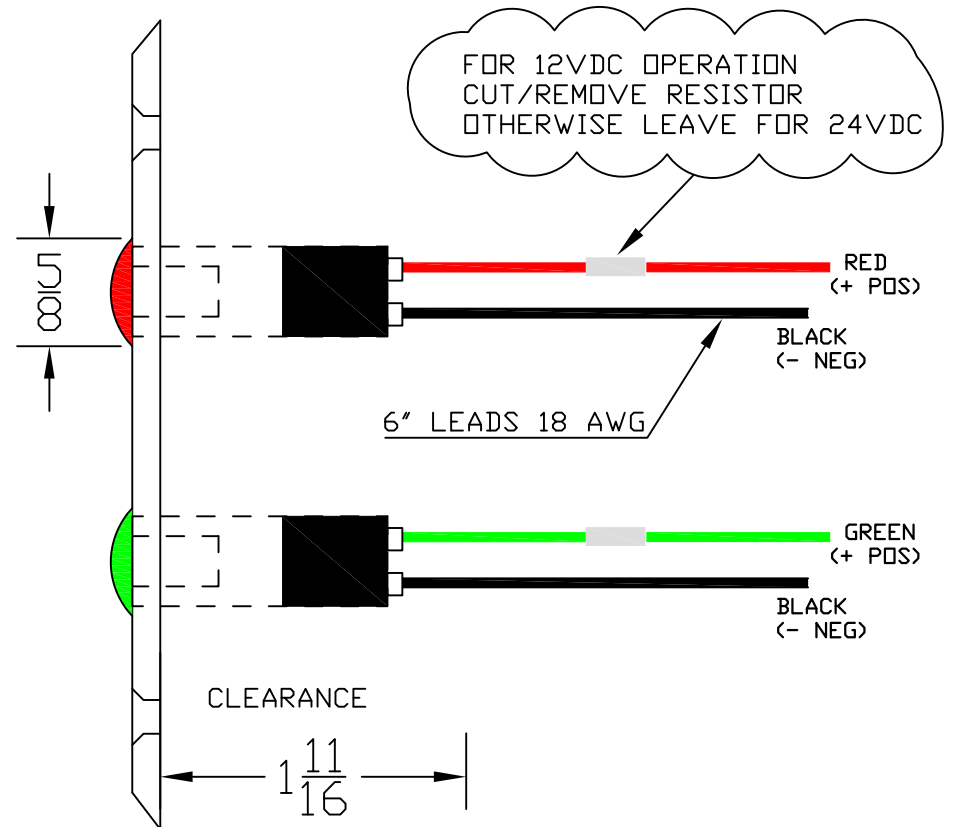
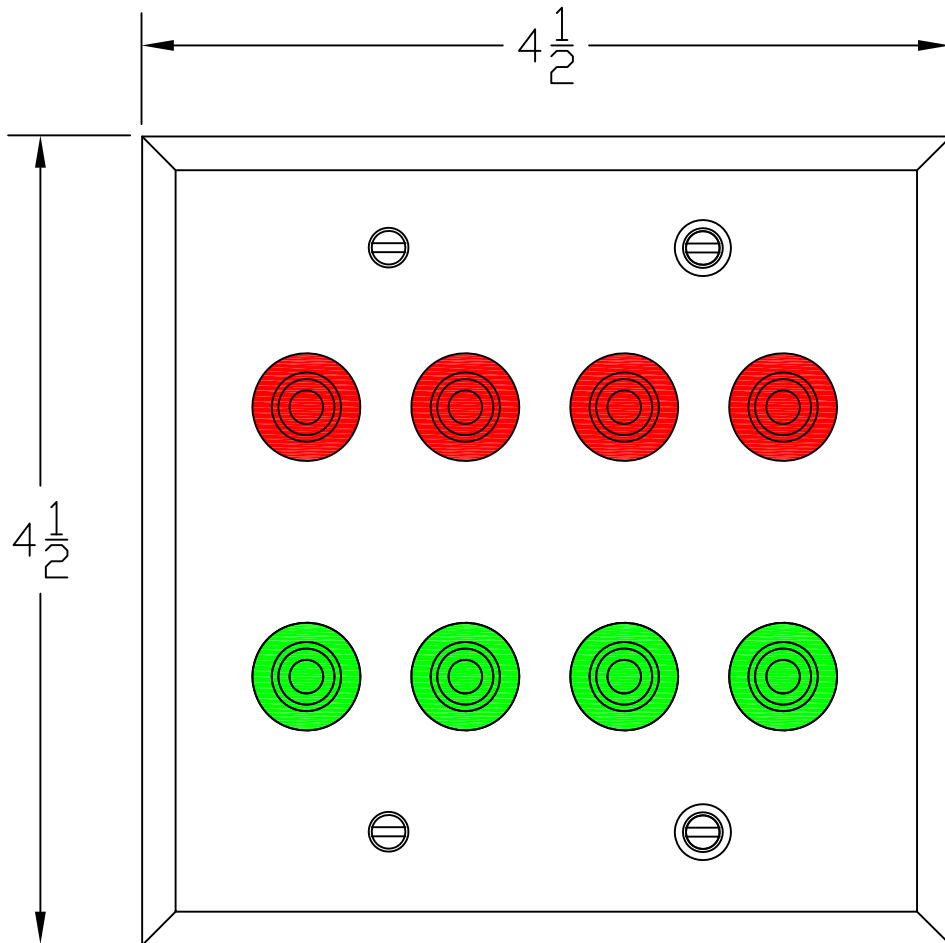
**DORTRONICS
SYSTEMS, INC.**

7202XL6-H
HI-INTENSITY LED'S

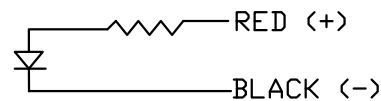
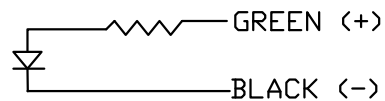
DATE	6/11/13	FILE	7202XL6-H
DRAWN	JTF	SHEET	1 OF 1 SIZE A

7202xL8-H

2 GANG STAINLESS STEEL PLATE
8 HI-INTENSITY LED'S



NOTE:
LENS COLOR IS CLEAR
SHOWS RED OR GREEN
ONLY WHEN POWERED
MATERIAL=HI-IMPACT PLASTIC



L.E.D. RATING: .04A @ 12-24VDC



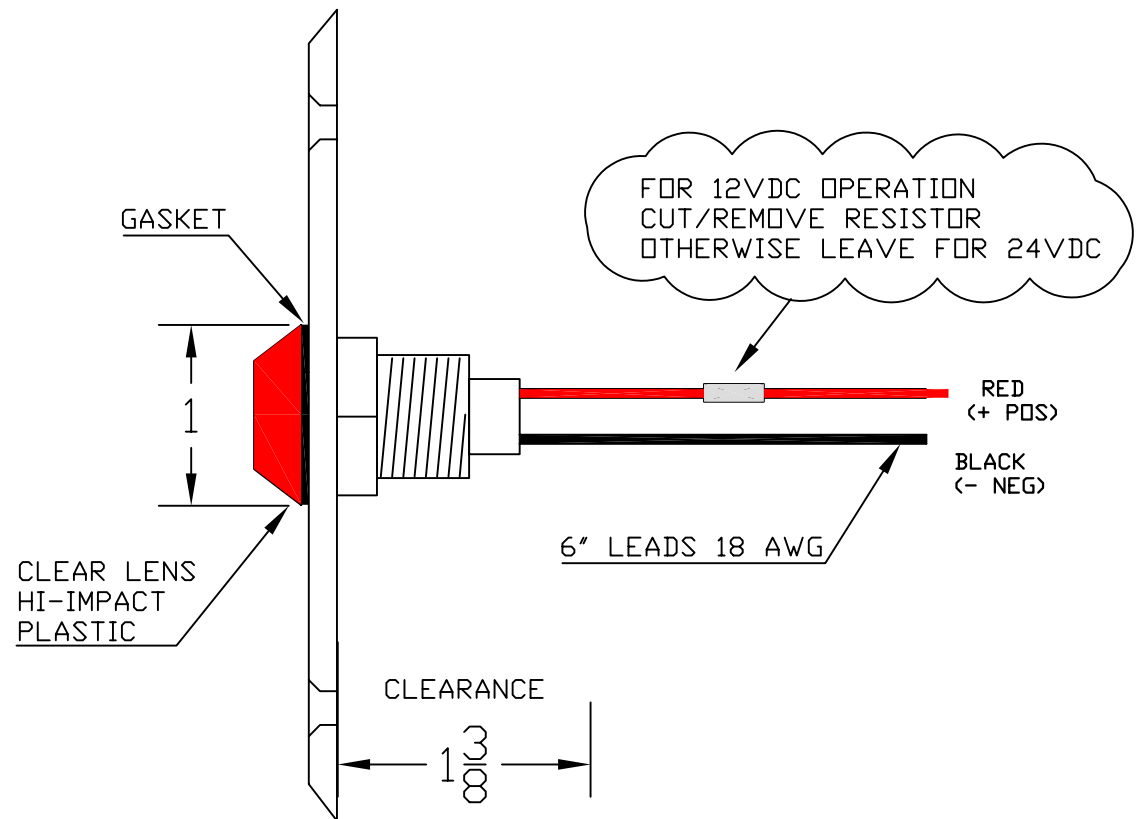
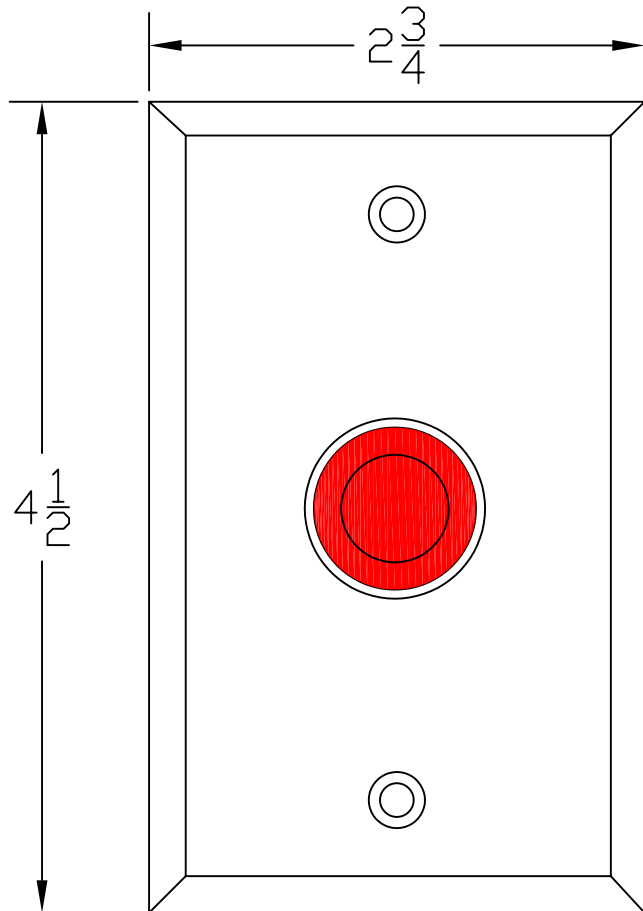
**DORTRONICS
SYSTEMS, INC.**

7202XL8-H
HI-INTENSITY LED'S

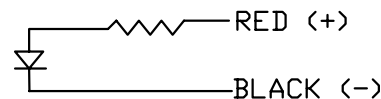
DATE	6/11/13	FILE	7202XL8-H
DRAWN	JTF	SHEET	1 OF 1
		SIZE	A

7201xL1-HWR

1 GANG STAINLESS STEEL PLATE
1 HI-INTENSITY WATER PROOF LED



PART NUMBERS:
7201xL1G-HWR GREEN LED
7201xL1R-HWR RED LED



L.E.D. RATING: .04A @ 12-24VDC

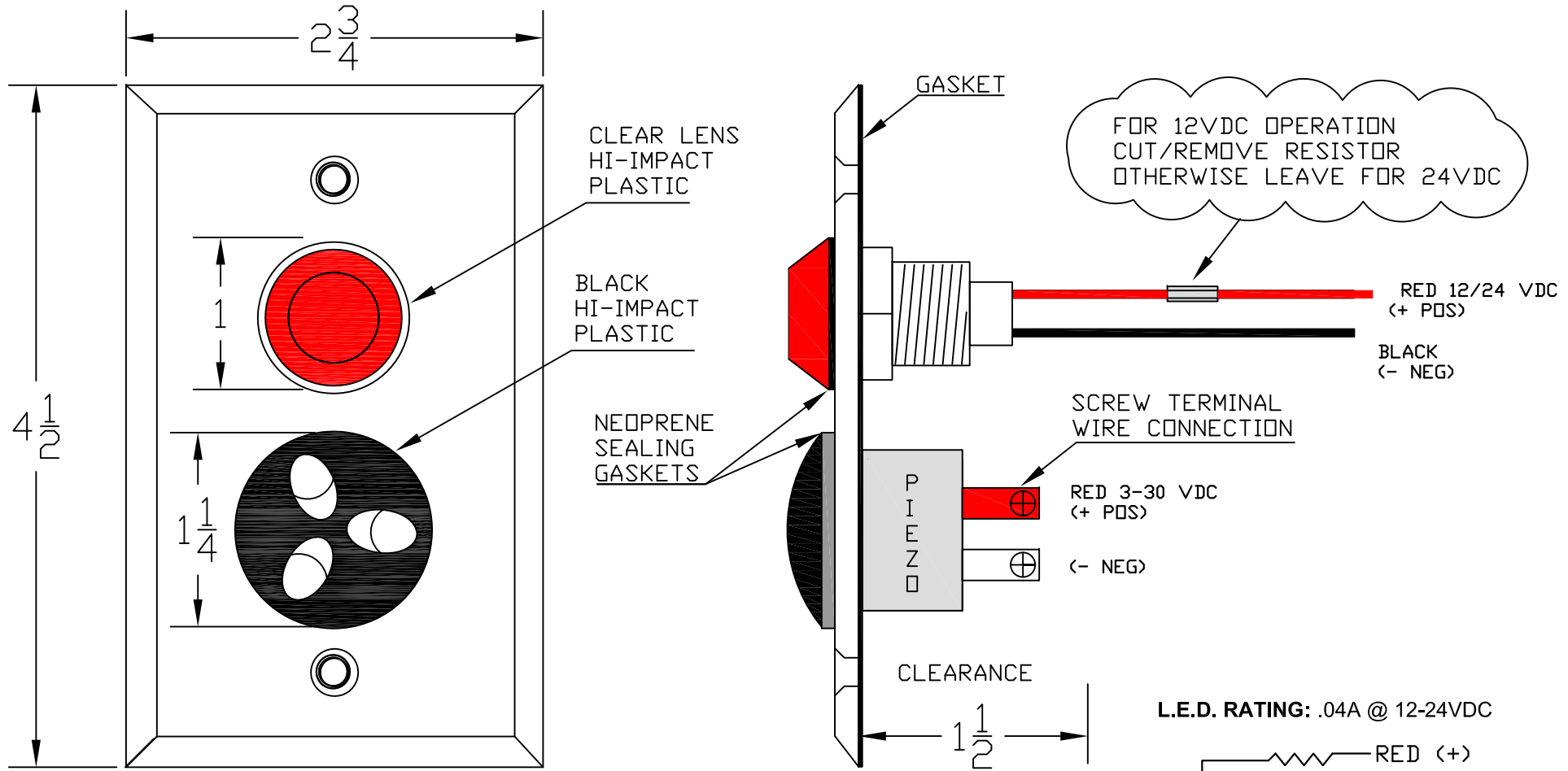


**DORTRONICS
SYSTEMS, INC.**

7201XL1-HWR HI-INTENSITY WATER PROOF LED'S			
DATE	2/12/04	FILE	7201XL1-HWR
DRAWN	JTF	SHEET	1 OF 1 SIZE A

7201xL1-HWRXCSW

1 GANG STAINLESS STEEL PLATE
 1 HI-INTENSITY WATER PROOF LED
 WITH WATER PROOF PIEZO



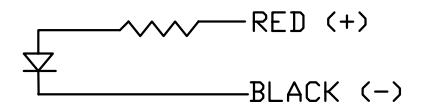
PIEZO RATING:
 5mA @ 5VDC MIN
 80 DB @ 24 IN @ 5VDC MIN

25mA @ 30VDC MAX
 100 DB @ 24 IN @ 30VDC MAX

ASTM B117 Certified (300 hr salt spray)

IP 68 Certified (100 hr water submergence & dust exposure)

L.E.D. RATING: .04A @ 12-24VDC



PART NUMBERS:
 7201xL1G-HWRXCS GREEN
 7201xL1R-HWRXCS RED



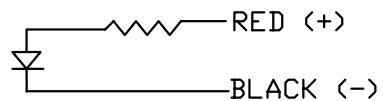
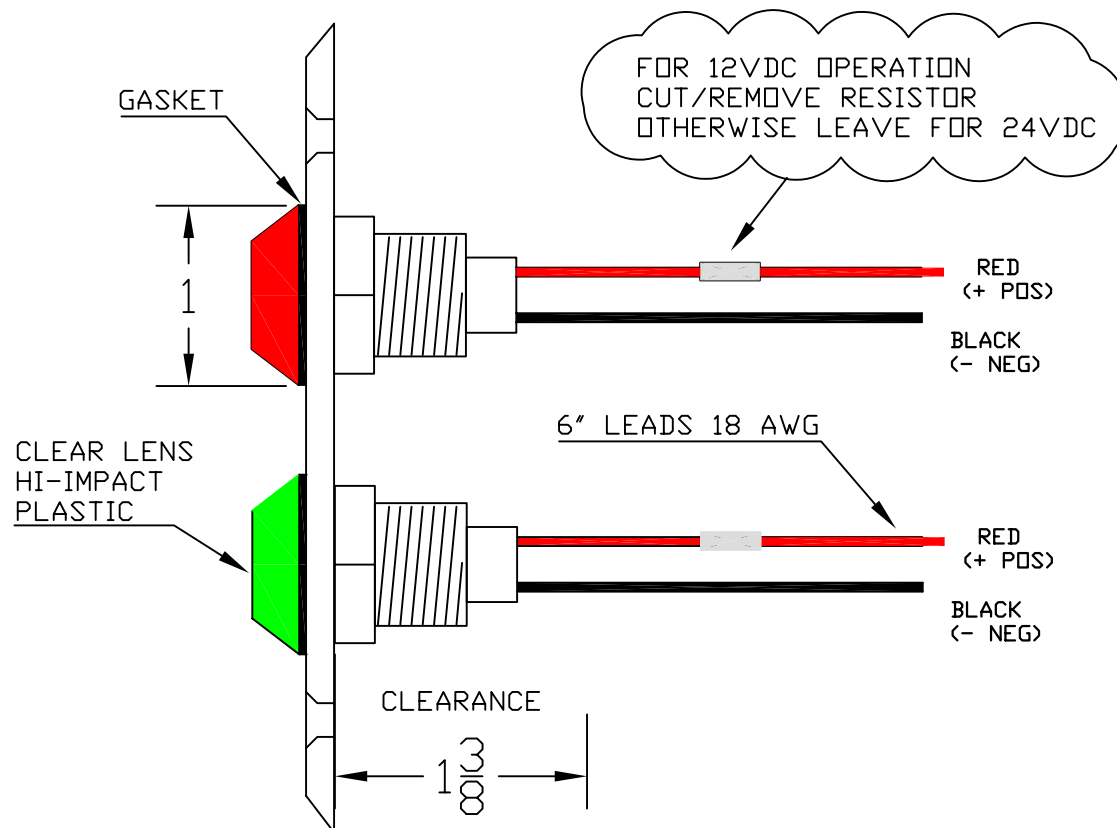
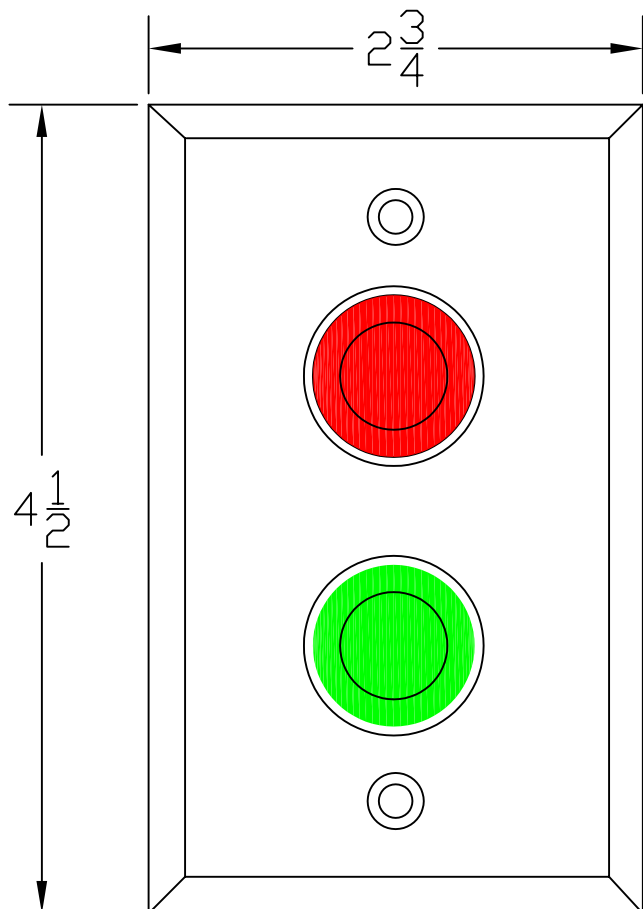
**DORTRONICS
 SYSTEMS, INC.**

7201XL1-HWRXCSW
 HI-INTENSITY WATER PROOF LED/PIEZO


DATE	10/17/12	FILE	7201XL1-HWRXCSW
DRAWN	JTF	SHEET	1 OF 1 SIZE A

7201xL2-HWR

1 GANG STAINLESS STEEL PLATE
2 HI-INTENSITY WATER PROOF LED'S

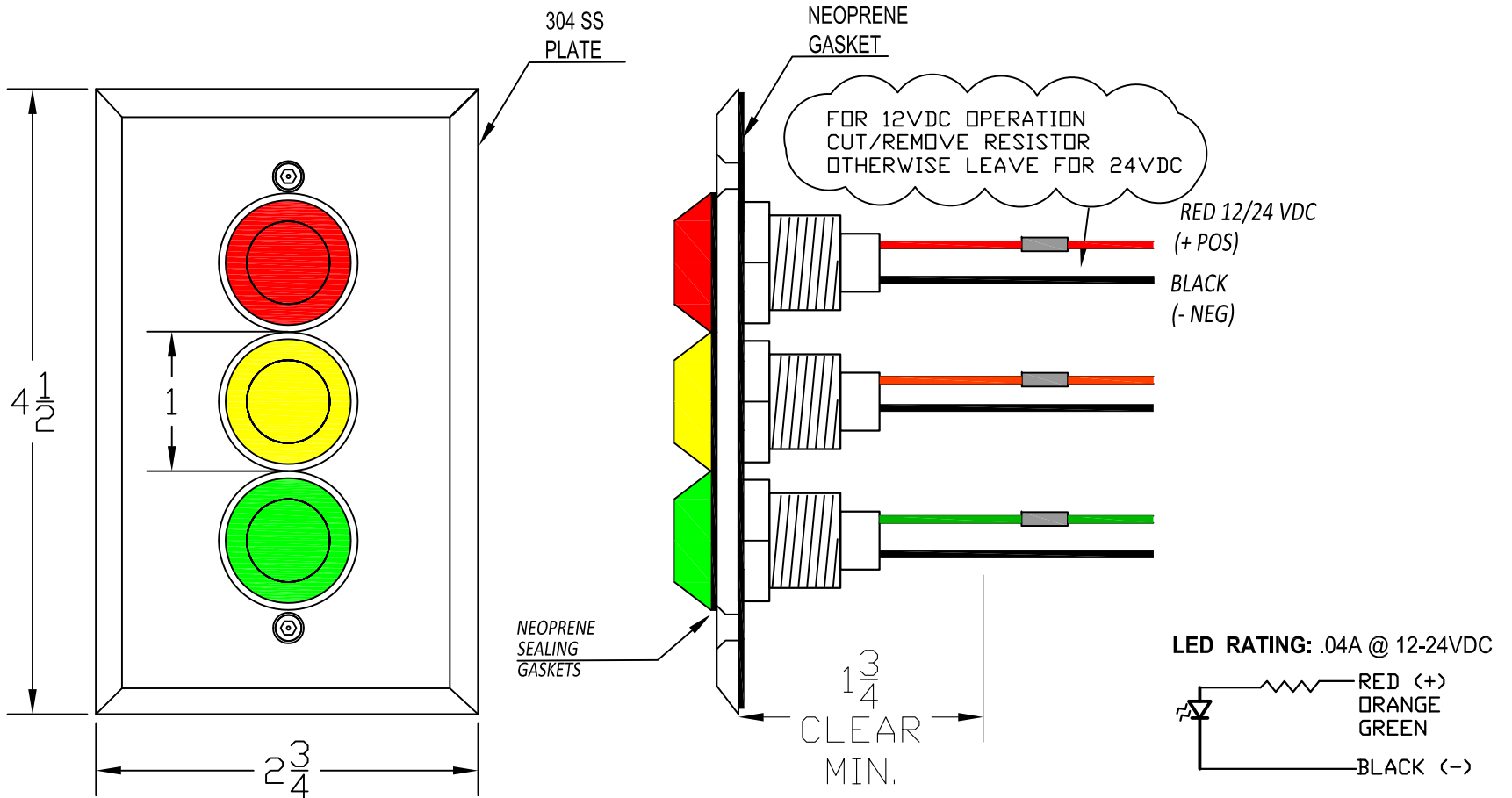


L.E.D. RATING: .04A @ 12-24VDC

 DORTRONICS SYSTEMS, INC.		7201XL2-HWR	
		HI-INTENSITY WATER PROOF LED'S	
DATE	2/12/04	FILE	7201XL2-HWR
DRAWN	JTF	SHEET	1 OF 1 SIZE A

7201XL3-HWR

1 GANG SS PLATE 3 HI INTENSITY WATERPROOF LED'S
RED, AMBER, GREEN



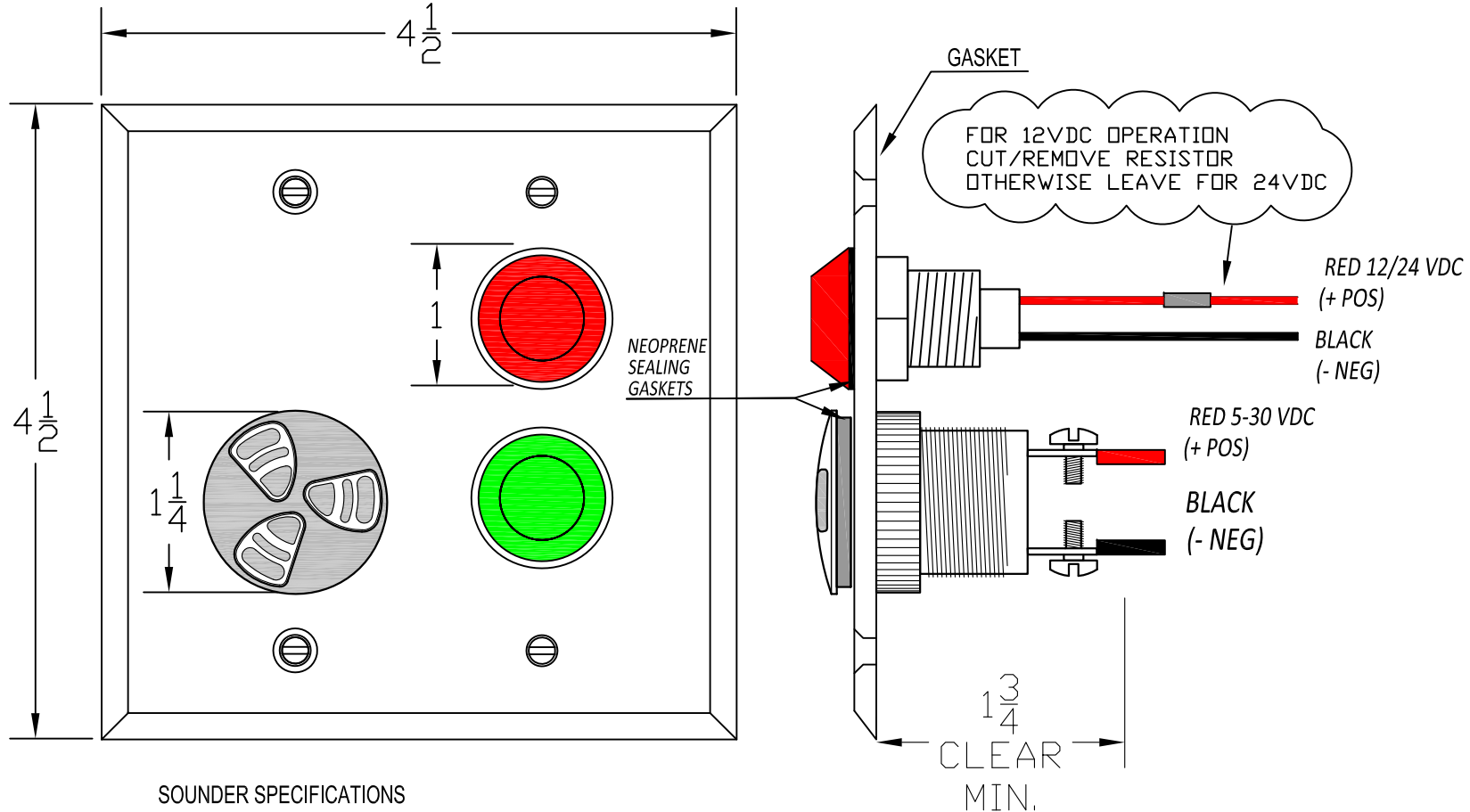
DORTRONICS SYSTEMS, INC.

1668 Sag Harbor Tpke., Sag Harbor, NY 11963 - (800) 906-0137 - (631) 725-8148 Fax - www.dortronics.com

7201XL3-HWR 3 HI-INTENSITY WATER PROOF LED			
DATE	5/17/19	FILE	7201XL3-HWR
DRAWN	JTF	SHEET	1 OF SIZE A

7202XL2-HWRXCSW

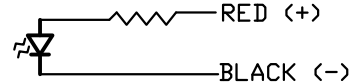
2 GANG SS PLATE 2 HI INTENSITY WATERPROOF LED'S WATERPROOF SOUNDER




SOUNDER SPECIFICATIONS

OPERATING VOLTAGE: 5-30 Vdc
 OPERATING FREQUENCY: 2900 +/- 250 Hz
 OPERATING CURRENT: 2 Ma @ 5 Vdc -- 10 Ma @ 30 Vdc
 SOUND PRESSURE LEVEL = 75 dB(A) @ 24" -- 95 dB(A) @ 24"
 OPERATING TEMP RANGE : -20 C - +85 C
 TERMINATION: QUICK CONNECT SPADES WITH SCREWS

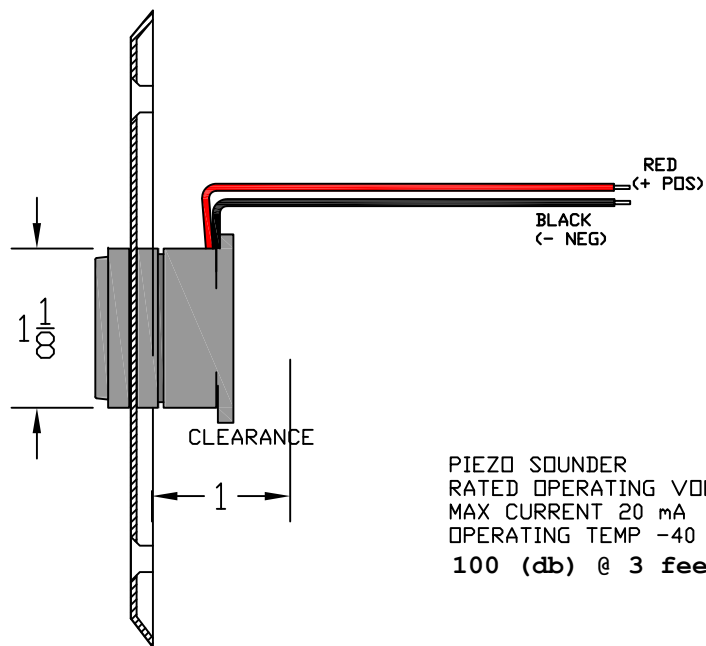
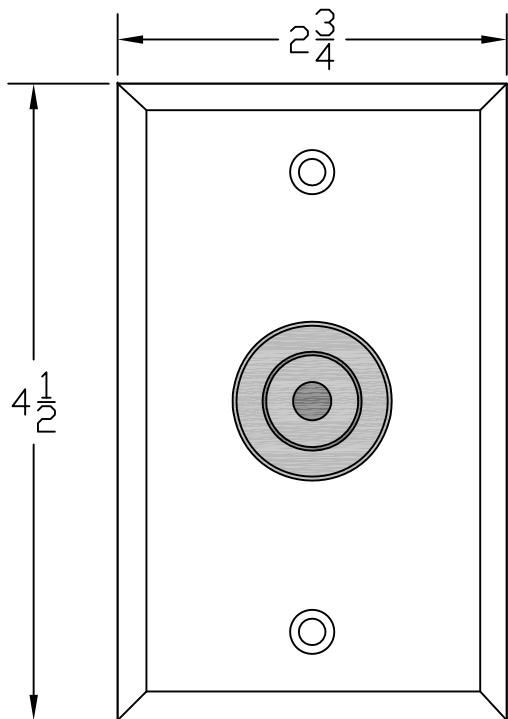
LED RATING: .04A @ 12-24VDC



 DORTRONICS SYSTEMS, INC.			
7202XL2-HWRXCSW 2 HI-INTENSITY WATER PROOF LED/PIEZO			
DATE	4/16/13	FILE	7202XL2-HWRXCSW
DRAWN	JFH	SHEET	1 OF SIZE A

7201XCS

1 GANG STAINLESS STEEL PLATE WITH SOUNDER



PIEZO SOUNDER
RATED OPERATING VOLTAGE 3-28 VDC
MAX CURRENT 20 mA
OPERATING TEMP -40 TO +70 C
100 (db) @ 3 feet



DORTRONICS
SYSTEMS, INC.

7201XCS
SOUNDER - INSTRUCTIONS

DATE	12/02/09	FILE	
DRAWN	JFH	SHEET 1	OF 1
		SIZE	

7201XCSW

STAINLESS STEEL PLATE WITH WATER PROOF PIEZO

SOUNDER SPECIFICATIONS

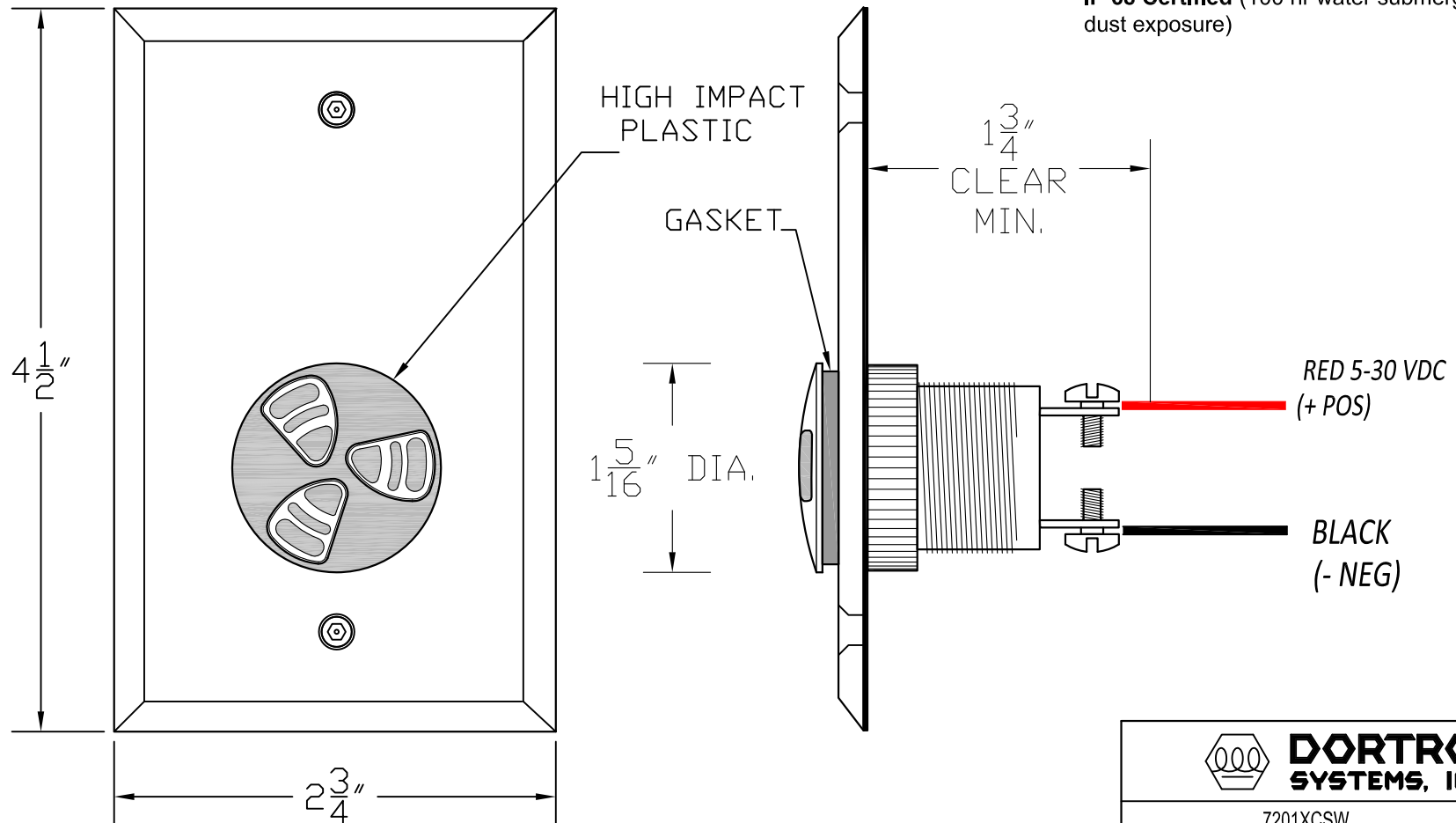
OPERATING VOLTAGE: 5-30 Vdc
 OPERATING FREQUENCY: 2900 +/- 250 Hz
 OPERATING CURRENT: 2 Ma @ 5 Vdc -- 10 Ma @ 30 Vdc
 SOUND PRESSURE LEVEL = 75 dB(A) @ 24"
 = 95 dB(A) @ 24"
 OPERATING TEMP RANGE : -20 C -- +85 C
 TERMINATION: QUICK CONNECT SPADES WITH SCREWS



SOUNDER IS UL RECOGNIZED

ASTM B117 Certified (300 hr salt spray)

IP 68 Certified (100 hr water submergence & dust exposure)



**DORTRONICS
SYSTEMS, INC.**

7201XCSW
1 GANG WATER PROOF PIEZO

DATE	4/17/13	FILE	7201XCSW
DRAWN	JFH	SHEET	1 OF 1
		SIZE	A

7201XCSW-A

STAINLESS STEEL PLATE
WITH WATER PROOF PIEZO
WITH VOLUME ADJUSTMENT

SOUNDER SPECIFICATIONS

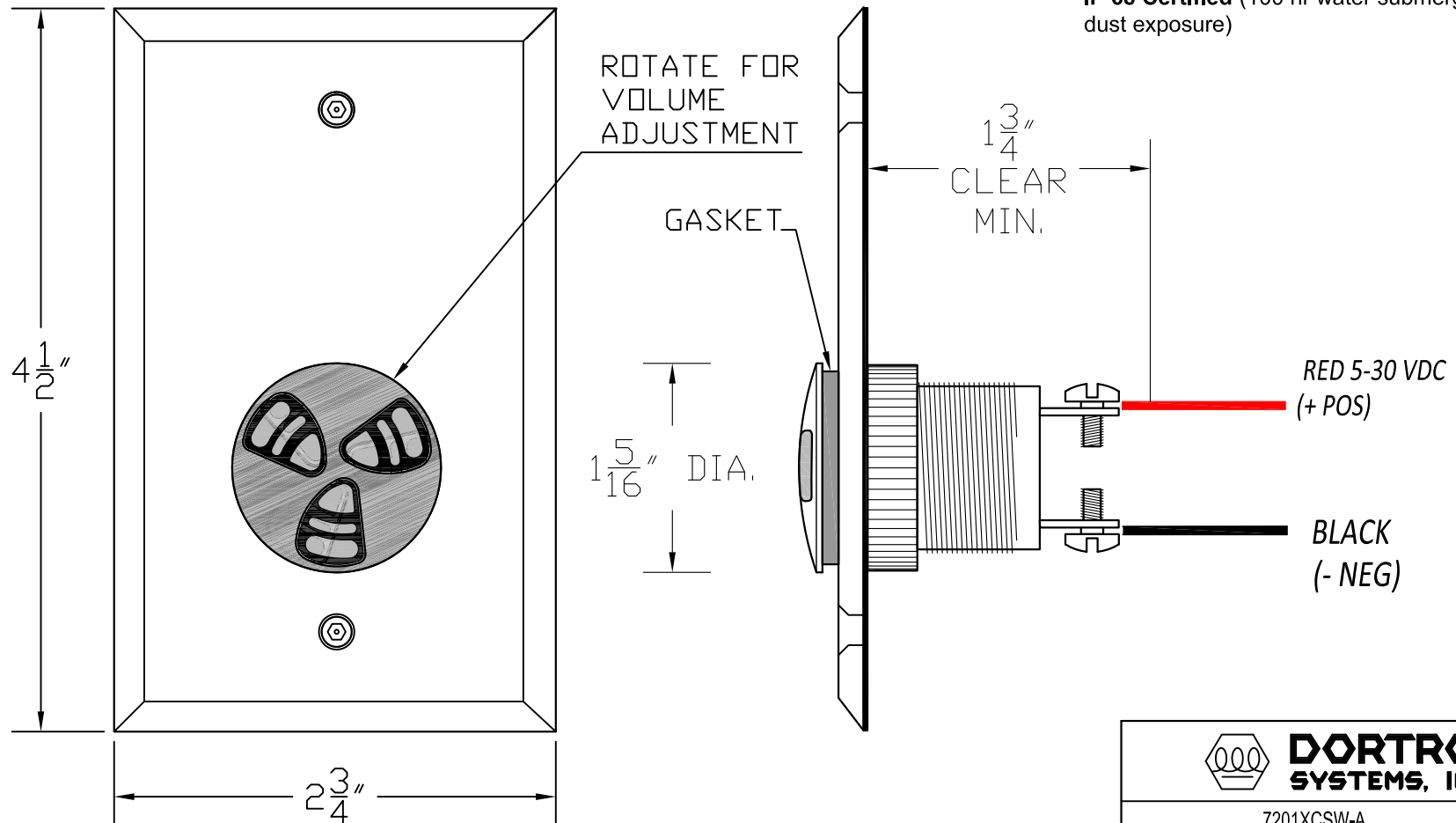
OPERATING VOLTAGE: 5-30 Vdc
OPERATING FREQUENCY: 2900 +/- 250 Hz
OPERATING CURRENT: 2 Ma @ 5 Vdc -- 10 Ma @ 30 Vdc
SOUND PRESSURE LEVEL = 75 dB(A) @ 24"
= 95 dB(A) @ 24"
OPERATING TEMP RANGE : -20 C -- +85 C
TERMINATION: QUICK CONNECT SPADES WITH SCREWS



SOUNDER IS UL RECOGNIZED

ASTM B117 Certified (300 hr salt spray)

IP 68 Certified (100 hr water submergence & dust exposure)



**DORTRONICS
SYSTEMS, INC.**

7201XCSW-A

1 GANG WATER PROOF PIEZO VOLUME ADJUSTABLE

DATE 4/17/13

FILE 7201XCSW

DRAWN JFH

SHEET 1 OF 1

SIZE A