

# WR5276 SERIES HEAVY DUTY BUTTONS

## Heavy Duty Exterior Grade Water Proof Switches



### Typical Configurations:

**#WR5276-HD28** – Alternate Action Form Z Non-Illuminated

**#WR5276-HD28xLRG** – Alternate Action Form Z & Illuminated LED Ring

**#WR5276-HD29** – Momentary Action Form Z Non-Illuminated

**#WR5276-HD29xLRG** – Momentary Action Form Z & Illuminated LED Ring

### Weatherized Stainless Steel Switch

Heavy duty, water proof, push button switch constructed of brushed stainless steel is ideal in exterior applications and for use in harsh operating conditions. A neoprene gasket is included for mounting the switch plate.

### Suitable for Wash down Applications

The WR5276 series button is rated to a sealing degree of IP65. (Protected against water projected from a nozzle from any direction).

### LED Illuminated Indicator

The optional bi-color LED ring can be utilized to provide visual indication of switch status or may be controlled independently by other devices. The illuminated LED ring color is red or green depending on the polarity of the 24 volts DC applied to the independent LED ring contacts.

### Dual Form Z Switch Contacts

Isolated normally open and normally closed switch contacts allow simultaneous control of independent circuits; such as controlling normally closed lock power while signaling the access control system with a normally open contact.

### Alternate or Momentary

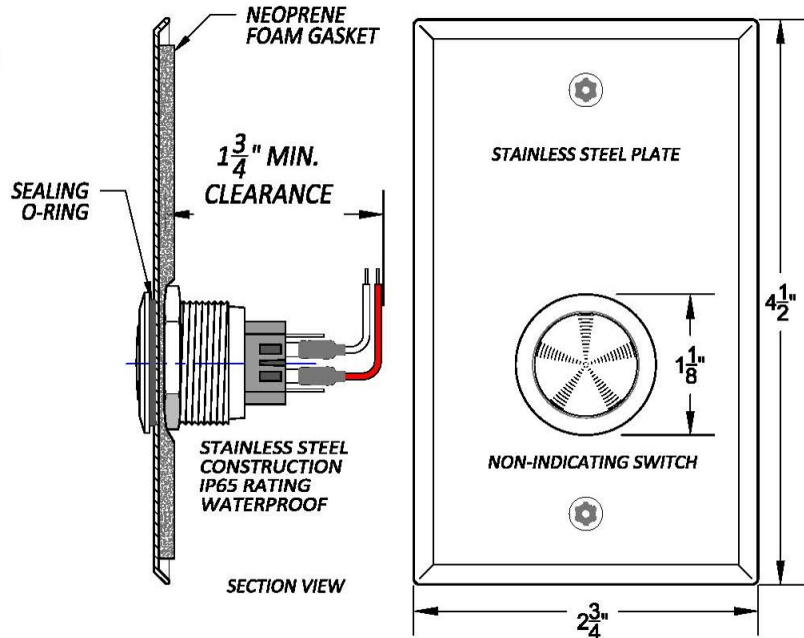
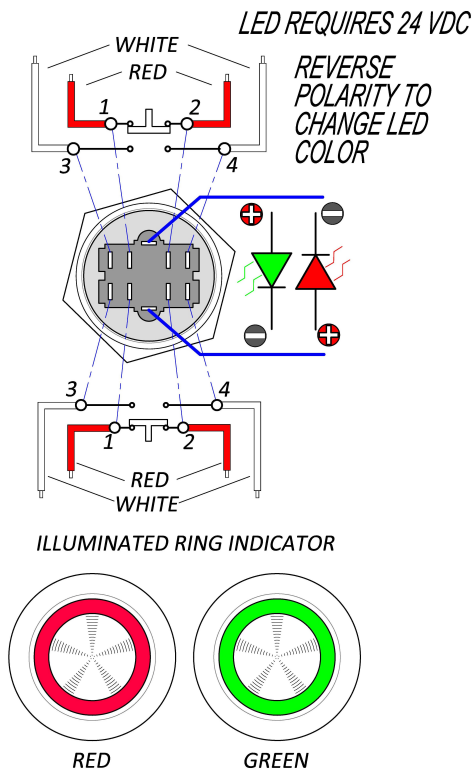
The WR5276 series push button switches are available with momentary or alternate-action switch operation.

### Optional Engraving

Along with standard switch plate sizes, and five standard engraved legends, custom plates and text can be made to specification with quick turn-around.



## Applications:



### Physical Data –

Actuator Material – Brushed Stainless Steel 3/4" Dia.  
 Actuator Force – 550 +/-50gF  
 Operating Temp – -13°F to 158°F, -25°C to 70°C  
 IP Rating – IP65 Waterproof Button

### Electrical –

Contact Rating – 2A @ 24VDC  
                           2A @ 125VAC  
 LED Ring – Red / Green 24VDC  
                   120 mA Peak Current  
                   20 mA Operating Current

### Outputs –

Form Z – 2-Normally Open & 2-Normally Closed with  
 Floating Common for Independent Circuits  
 Operation – Alternate-Action (See HD28)  
                   Momentary (See HD29).

### Plate Sizes –

Standard as supplied is 1 Gang above  
 Narrow Plate prefix "N" 1-3/4" x 4-1/2"  
 2 Gang Plate prefix "D" 4-1/2" x 4-1/2"

### Optional Engraving –

xE1 – "PUSH TO EXIT"  
 xE2 – "PANIC"  
 xE3 – "EMERGENCY RELEASE"  
 xE4 – "PUSH TO RELEASE"  
 xE5 – "EMERGENCY DOOR RELEASE"  
 xE6 – Custom Engraving

### Specifications –

Unless noted otherwise, weather sealed push button switch assemblies shall be flush wall mounted to standard, recess mounted, electrical boxes. Mounting screws will be Phillips flat head or Pin-in-Hex tamper resistant mounting screws provided.

Push button switches are to be constructed of brushed stainless steel with an illuminating LED indicator ring. Switch contacts to be form "Z" with two normally open and two normally closed contacts. Push button operation to be momentary or alternate-action as noted. LED ring shall illuminate as green when device is secure and red when device is unsecure unless noted otherwise.

The mounting plate shall be constructed of stainless steel with smooth edges on all four sides with a neoprene gasket. Optional text, if required, will be engraved and paint filled.



# DORTRONICS SYSTEMS, INC.

1668 Sag Harbor Tpke., Sag Harbor, NY 11963 (800) 906-0137 (631) 725-8148 Fax www.dortronics.com