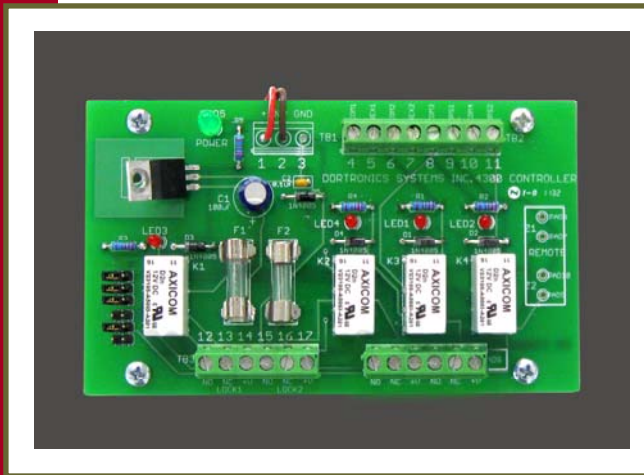


NEW PRODUCT

4300 Series Economical Mantrap Control

2-Door Interlock Controller



Typical Configurations:

#43211-U – 2-Door / 1-Room /
2-Normally Unlocked Doors

#43211-L – 2-Door / 1-Room /
2-Normally Locked Doors

#43211-L/U – 2-Door / 1-Room
1 Normally locked Door
1 Normally Unlocked Door

Three Way Interlock Door Control

The #4300 series door interlock controller provides a high level of access control and an economical solution for 2-door systems. It can be configured on site to control two normally locked doors, two normally unlocked doors or a locked, unlocked pair. Only one door may be accessed at a time. A request for access or an open door inhibits the other door which remains secure until the first door is closed and no request is pending.

Environmental or Security Control

Suitable for 2-door air locks or security mantraps, Both wet and dry output contacts are available for direct lock control and/or signaling requirements.

Access Control Compatible

Any access control system can be used with the 4300 series controllers. The request for access input recognizes any normally open dry contact. The door unlock sequence will follow the status of the request for access input unless the optional AT-timer is specified.

Integral 12/24 VDC Power Supply

The 4300 is powered from the built-in 4 amp power supply which also provides 12 or 24 VDC to operate maglocks and/or strikes for each of the doors. The heavy-duty power supply is ready for hook-up to the fire alarm system. An alarm output is also provided for monitoring the control system.

Panic or Remote Override Feature

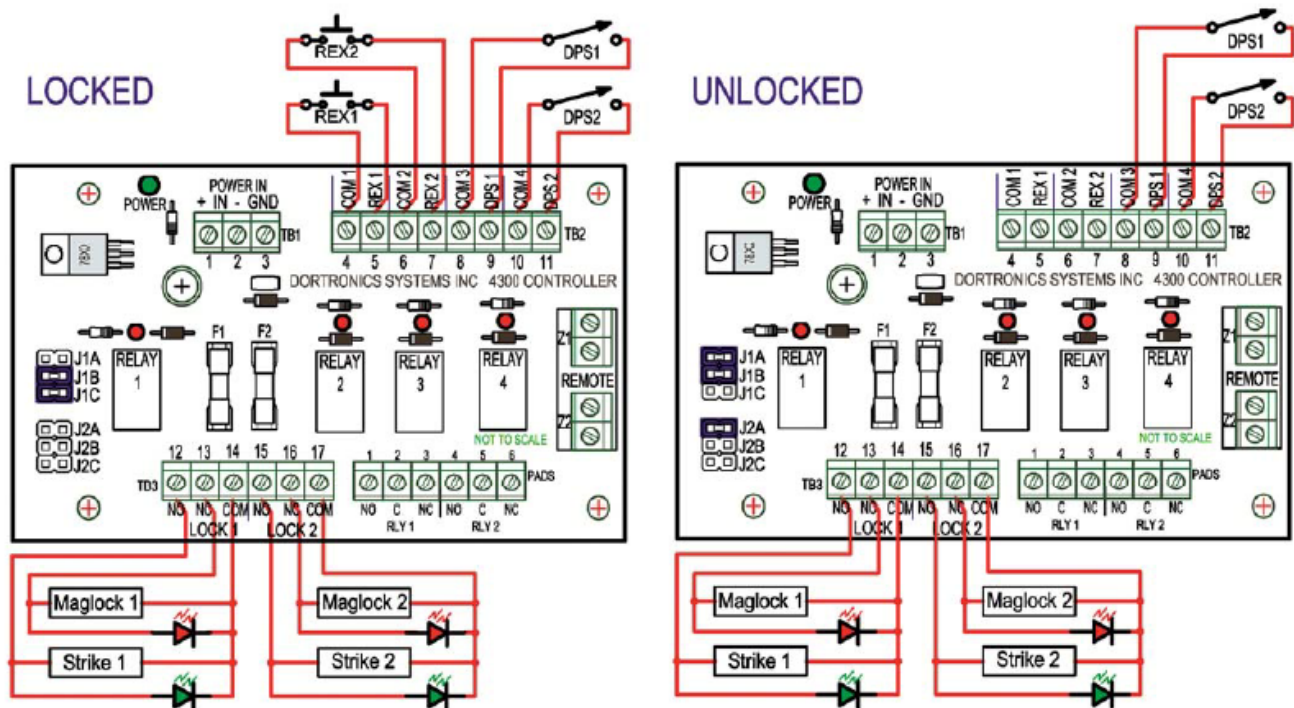
The 4300 includes a provision for remote or panic override to force one or both doors open regardless of door status.

DORTRONICS SYSTEMS, INC

1668 Sag Harbor Tpke. – Sag Harbor, NY 11963
(800) 906-0137 - (631) 725-0505 - (631) 725-8148 FAX

Product Specifications

Wiring Hook-up –



Physical Data –

Enclosure- 12" x 16" x 4" deep NEMA enclosure will accommodate one or two relay modules with the built-in power supply. Additional modules may require larger enclosures.
4300 Module - 5" x 3" overall controls two doors.

Electrical –

AC Input - Fused 110 VAC
DC Output - 4 amp field selectable 12 or 24 VDC

Inputs –

Two Dry Contact Inputs for Door Status (Contact closed when is door secure)
Two Dry Contact Inputs for Request to Access (Contact normally open)
Two Dry Contact Inputs for Remote Override

Outputs –

Two Relay Outputs - SPDT powered outputs for direct connection to locks. 3 Amps Max.
Two Relay Outputs – SPDT dry contact rated for 3 Amps@ 28 VDC mirror lock status for traffic lights or signalling a remote console.

Operation –

Only one door may be unlocked or open at any time. Unlocking or opening one door automatically secures the other door of the designated area. A request for access at any normally locked door will inhibit the REX inputs for the other locked door or secure the other door if unlocked.

Lock relay outputs are powered (12 or 24 VDC depending on supply) to switch low voltage power to maglocks and/or strikes. They may also power low voltage indicators such as LEDs to signal lock status for traffic control. Typically a green light indicates that access is permitted, and red signals that another door is open and access is denied until it has been secured.

If special requirements such as indication of alarm conditions or custom timed operations are required, contact the factory for use of a 4700 series or 4900 series PLC based interlock controller.

Call for additional information and pricing.