

# 5286 PUSH PLATE SWITCH CONTROLS

**Highly Visible**

**Easy to Operate**

**Architectural  
Matched Finishes**

**Standard or  
Custom Legends**

**Color Filled  
Engraved Letters**



## **Easy to See and Operate**

Ideal for use in office buildings, institutions, hospitals, nursing homes, banks, etc. where codes require a readily apparent and easy to use door control or electric lock release and an architecturally coordinated, aesthetically pleasing, appearance is required.

Standard 5286 exit release switches feature a large, easily operated, 1-1/2" x 3" push plate. The push plate is available in two sizes and three different back mounting plates to meet all installation requirements. Both the push plates and the back mounting plates have smooth beveled edges on all four sides to enhance appearance. These assemblies are joined from the back with concealed screws to resist tampering.

## **“N” Series Push Plates**

Typically used for mounting on narrow door frames and aluminum mullions, the “N” style devices consist of the standard 1-1/2" x 3" push plate mated with a narrow 1-3/4" wide back plate for hollow metal or aluminum frame mounting. Furnished with slotted oval head stainless steel screws for direct mounting to frame or partition box within frame.

## **Standard Wall Plate Size**

The “W” Series push plate consists of a 1-1/2" x 3" push plate with a 3" wide back plate for standard single gang box mounting. Furnished with standard slotted head screws. Pin-in-hex tamper resistant mounting screws are available on special order.

## **Wide Push Plate Switches**

The “D” Series has a large 4" x 4" push plate with a 4-5/8" wide back plate prepared for mounting to a double gang box. Furnished with pre-assembled socket head mounting screws easily accessible through small holes in the push plate.

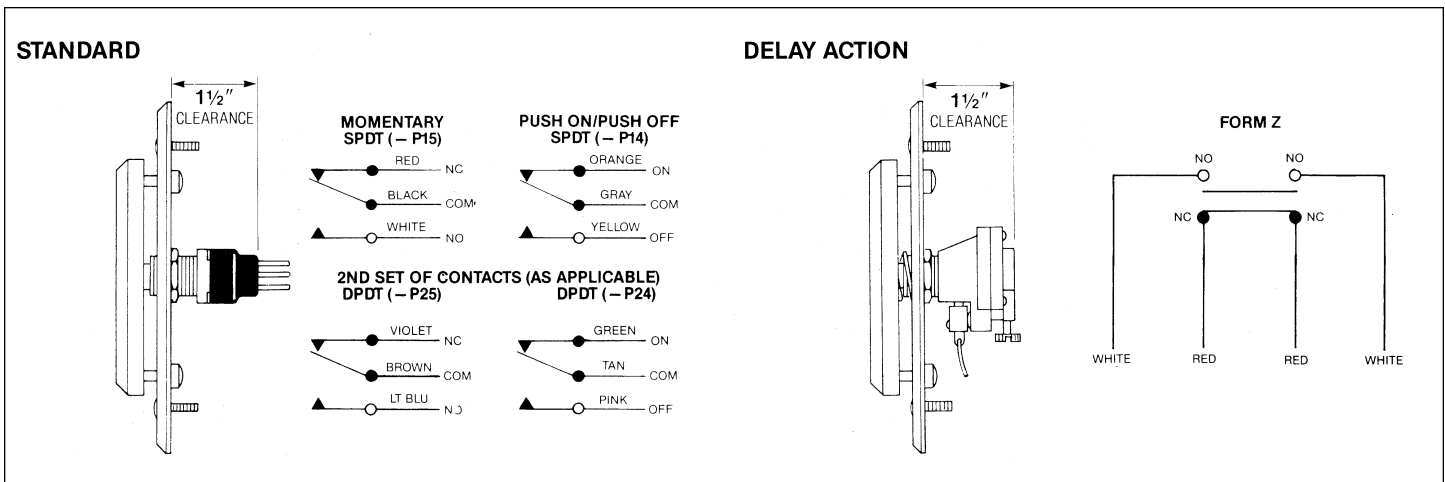
## **Variety of Contact Forms**

Push plates switches are available with alternate action, momentary or time delayed contacts. The adjustable delay action assemblies utilize a miniature pneumatic timer, adjustable from 2 to 60 seconds, with a compression spring under the push plate.

All switch assemblies are rated for heavy duty usage and are furnished with color-coded wire leads for easy hook-up.



# 5286 SERIES PUSH PLATE EXIT RELEASE & ACCESS CONTROL SWITCHES



## Model Descriptions:

- N5286-P14 = SPDT-Push On/Push Off with Narrow Switch Plate
- W5286-P14 = SPDT-Push On/Push Off with Standard Switch Plate
- D5286-P14 = SPDT-Push On/Push Off with Wide Switch Plate
- N5286-P15 = SPDT-Momentary with Narrow Switch Plate
- W5286-P15 = SPDT-Momentary with Standard Switch Plate
- D5286-P15 = SPDT-Momentary with Wide Switch Plate
- N5286-P23DA = SPDT -Time Delayed Action with Narrow Switch Plate
- W5286-P23DA = SPDT-Time Delayed Action with Standard Switch Plate
- D5286-P23DA = SPDT-Time Delayed Action with Wide Switch Plate
- N5286-P24 = DPDT-Push On/Push Off with Narrow Switch Plate
- W5286-P24 = DPDT-Push On/Push Off with Standard Switch Plate
- D5286-P24 = DPDT-Push On/Push Off with Wide Switch Plate
- N5286-P25 = DPDT-Momentary with Narrow Switch Plate
- W5286-P25 = DPDT-Momentary with Standard Switch Plate
- D5286-P25 = DPDT-Momentary with Wide Switch Plate

## Electrical Specification:

- Immediate response contacts -
  - 6 amps @ 125VAC
  - 4 amps @ 24VDC
- Delayed action switches -
  - 10 amps (resistive) @ 125VAC
- All switches are furnished with 8" long color-coded stranded wire leads for ease of identification and hook-up.

## Finishes:

- Standard is clear aluminum anodized.
- xBRE = Baked Red Enamel
- xDBA = Dark Bronze Anodized
- xGBA = Gold Bronze Anodized
- xUS3 = Plated Polished Brass
- xUS4 = Plated Satin Brass

## Engraving:

- xE1 = "PUSH TO EXIT" (black letters)
- xE1R = "PUSH TO EXIT" (red letters)
- xE3 = "EXIT" (red letters)
- xE4 = "DOOR RELEASE" (black)
- xE5 = "EMERGENCY DOOR RELEASE" (red letters)
- xE6 = Other custom engraving
- xHCP = Handicap logo
- xHCP2 = Handicap logo with "PUSH TO OPEN" (only available on "D" series double gang plates)
- xHCP3 = Handicap logo with blue enamel finish (white engraving)

## Specification Guide:

Switch controls shall be manufactured by Dortronics Systems, Inc. Push plate station controls shall be momentary or alternate action, SPDT or DPDT as scheduled (minimum 6 amps @ 125VAC). Time delay push plate switches shall be field adjustable (2 to 60 seconds) with form Z contacts (10 amps resistive @ 125VAC) where scheduled.

Unless noted otherwise, push plate switch assemblies shall be flush wall mounted to standard, recess mounted, electrical boxes. Mounting screws shall be slotted oval head stainless steel. Pin-in-hex tamper resistant screws shall be supplied where required.

Push plates and mounting plates shall be constructed of anodized aluminum with smoothed and beveled edges on all four sides. Assembly shall be with concealed fastenings. Standard and color anodized aluminum push plate assemblies shall be buffed to a satin finish. Custom plated finishes shall be polished or satin buffed as specified. Lettering and logos shall be engraved and paint filled as designated.

**Distributed by:**



**DORTRONICS  
SYSTEMS, INC.**

1668 SAG HARBOR TURNPIKE, SAG HARBOR, NY 11963  
www.dortronics.com - (800) 906-0137 - (516) 725-4234 FAX



## R5286-HCP SERIES HANDICAP PUSHBUTTON

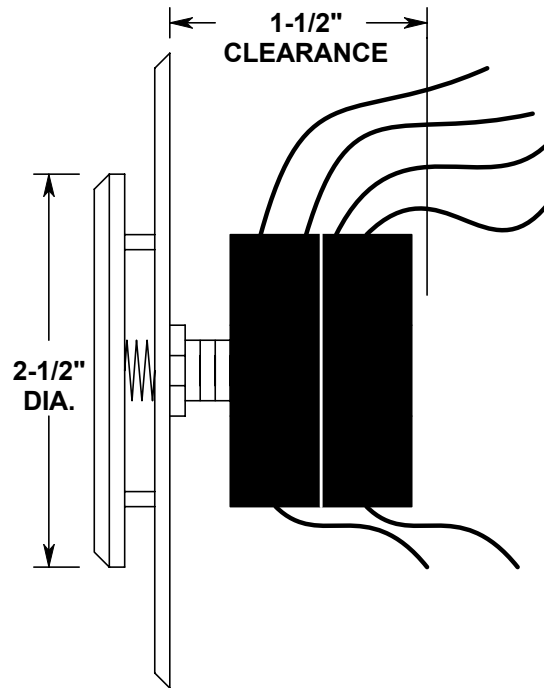
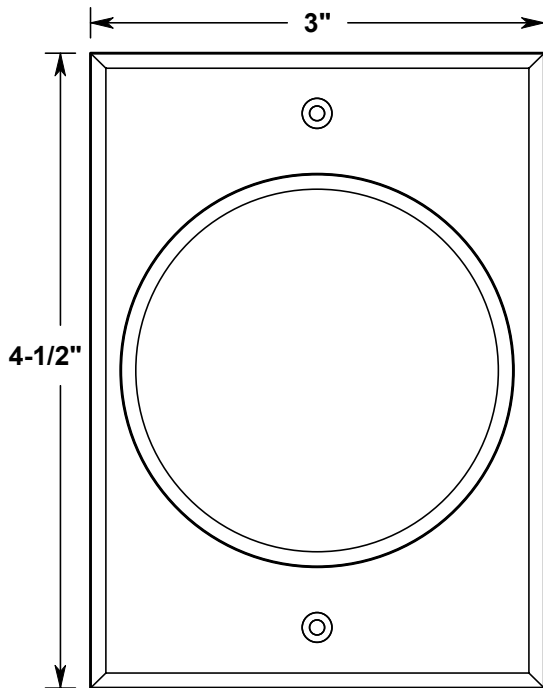


HEAVY DUTY 5/16" THICK BUTTON  
ALUMINUM PALM BUTTON  
BLUE ENGRAVING HANDICAP LOGO

AVAILABLE IN SPDT -P15 OR DPDT -P25  
MOMENTARY ACTION ONLY

HEAVY DUTY 1/8" THICK BACK PLATE  
BACK PLATE CLEAR ANODIZED SATIN ALUMINUM

FOR 1-3/4" NARROW MULLION BACK PLATE  
PREFIX "N"

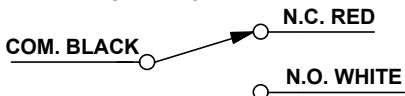


COLOR CODED 18 AWG LEADS 7" LONG

(2ND SET OF CONTACTS FOR DPDT OPTION)

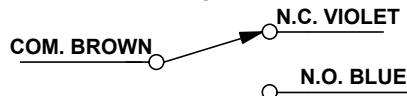
### P15

SPDT MOMENTARY



### P25

DPDT MOMENTARY



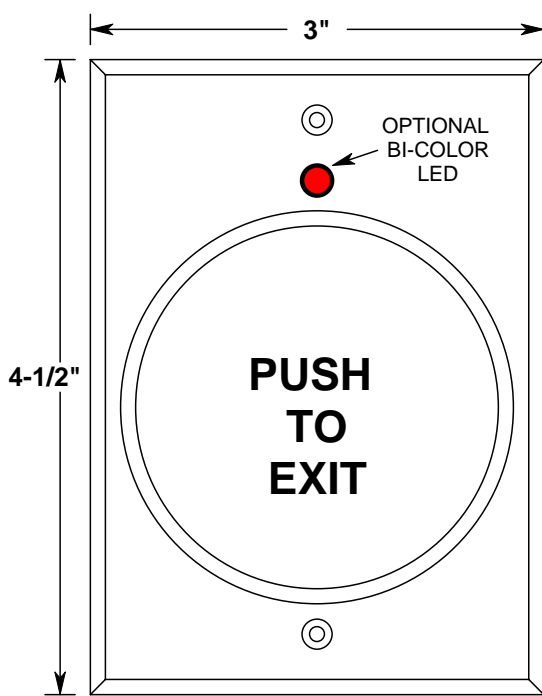
**SWITCH RATINGS**  
**6 AMPS @ 125/240 VAC**  
**4 AMPS @ 24 VDC**



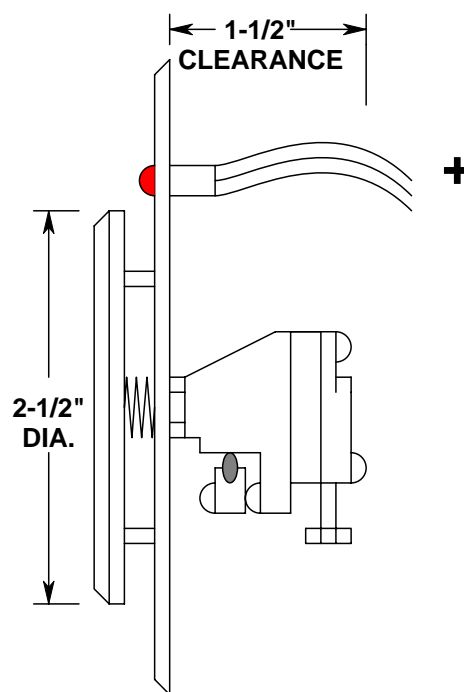
## R5286-P23DAXE1



**PNEUMATIC DELAY ACTION PUSH BUTTON**  
**CLEAR ANODIZED ALUMINUM BUTTON**  
**OPTIONAL ENGRAVED LETTERING**  
**OPTIONAL LED**



R5286-P23DAXE1  
(SHOWN)



**BACK PLATE CLEAR ANODIZED SATIN ALUMINUM**  
**PALM BUTTON CLEAR ANODIZED ALUMINUM**

**OPTIONAL RED POWDER COAT, (X BRE) WHITE ENGRAVING**

**ADJUSTABLE TIME DELAY**  
**SWITCH RATED 10 AMPS RESISTIVE**  
**@ 125/240 VAC**

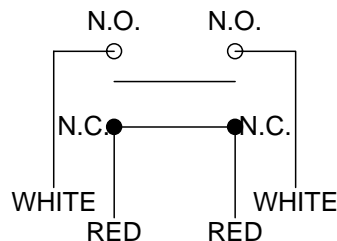
OPTIONAL ENGRAVING:  
XE1= PUSH TO EXIT  
XE1R= PUSH TO EXIT (RED TEXT)  
XE3= EXIT  
XE4= DOOR RELEASE  
XE5=EMERGENCY DOOR RELEASE  
XE6= CUSTOM ENGRAVING

OPTIONAL BI-COLOR LED= XL

**LED RATING**  
**28VDC MAX**

RED +  
BLACK -  
GREEN +

**FORM Z CONTACTS**

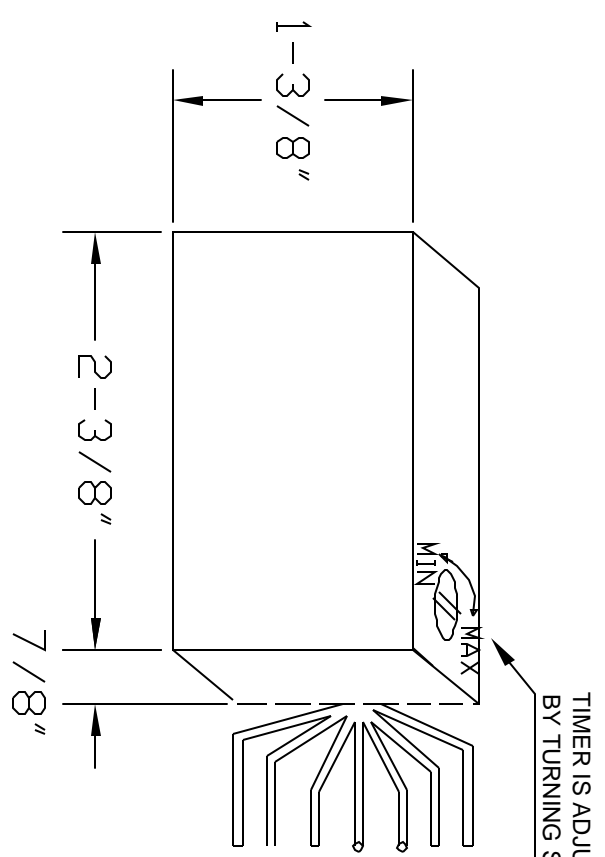


# 1-30 SECOND ADJUSTABLE TIMER MODULE "XAT" 30 SECOND FIXED TIMER MODULE "XFT"

ENCLOSED UNIT FOR PUSH BUTTON ELECTRONIC TIME DELAY 8" FLYING LEADS TO CONNECT TO ACCESSORY DEVICES, OR CONTROLLERS. UNIT IS DESIGNED TO FIT INTO A ONE GANG ELECTRICAL BOX WITH THE ASSOCIATED SWITCH ASSEMBLY. THIS TIMER MAY BE UTILIZED WITH ANY SWITCH IN THE DORTRONICS PRODUCT LINE

\* BY DESIGNATING THE SUFFIX "XFT" THE UNIT IS FACTORY SET @ 30 SECONDS TO COMPLY WITH NFPA CODE

## CONTACT RATING 3A @ 125VAC/30VDC



- RED + 12-24V DC POWER INPUT
- BLACK - 12-24V DC POWER INPUT
- YELLOW N.D. TRIGGER INPUT
- BLUE N.D. RELAY CONTACT OUTPUT
- WHITE COM. RELAY CONTACT OUTPUT
- GREEN N.C. RELAY CONTACT OUTPUT

TITLE		AT TIME DELAY		DORTRONICS SYSTEMS, INC.	
MATERIAL	XXX	CAD FILE	52800AT		
FINISH	XXX	SHEET	1	OF	1
DRAWN	JTF	DATE	10/23/02	SCALE	TO FIT
APPR	XXX	DATE	XX/XX/XX	UNITS	INCHES
DWG. NO.			52800AT		
REV.			NC		

REV	-	REVISION DESCRIPTION	DATE
REV	-		