



6510/COV/S & /SR ANTI-TAMPER ALARM COVER

Reduce Exit Door Alarms

Stop Unauthorized Door Release

Local Alarm Piezo Sounder

Optional Alarm Relay Output



Piezo Deters Unauthorized Door Release

This unique device will deter unauthorized door openings without restricting emergency egress when used with the 6510/xx-S35 Emergency Pull Station. The 6510/COV/S cover with Piezo sounder can also stop false alarms through its pre-alarm local sounder action. When the clear plastic cover is lifted to gain access to the pull handle for door release, it sounds a piercing 95 dB or 105 dB warning horn. Immediate attention is drawn to the area and a prankster will either run or be caught. Ideal for installation in schools, hospitals, nursing homes, stores, hotels and public buildings of almost every kind.

Heavy Duty Construction

The 6510/COV/S or /SR Anti-tamper Alarm Cover consists of a clear, tamperproof, super tough polycarbonate shield and frame that fits over the 6510/-S35 Emergency Pull Station. The cover is connected to the frame by a cable. When the cover is lifted, it hangs off of the frame and the horn will sound until the cover is snapped back onto the frame.

Battery or On-line Low Voltage Power

The 6510/COV/S or /SR can operate independently from a standard 9-volt battery or a 9to24 VDC power supply.

Emergency Pull Station Operation

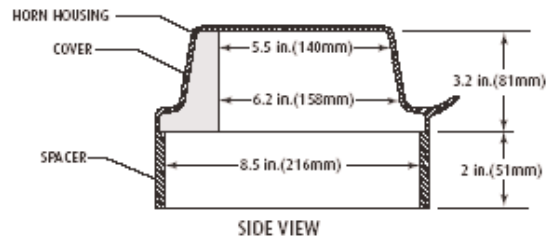
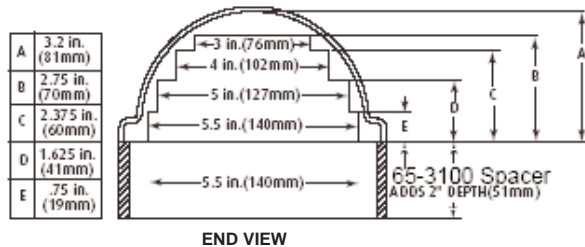
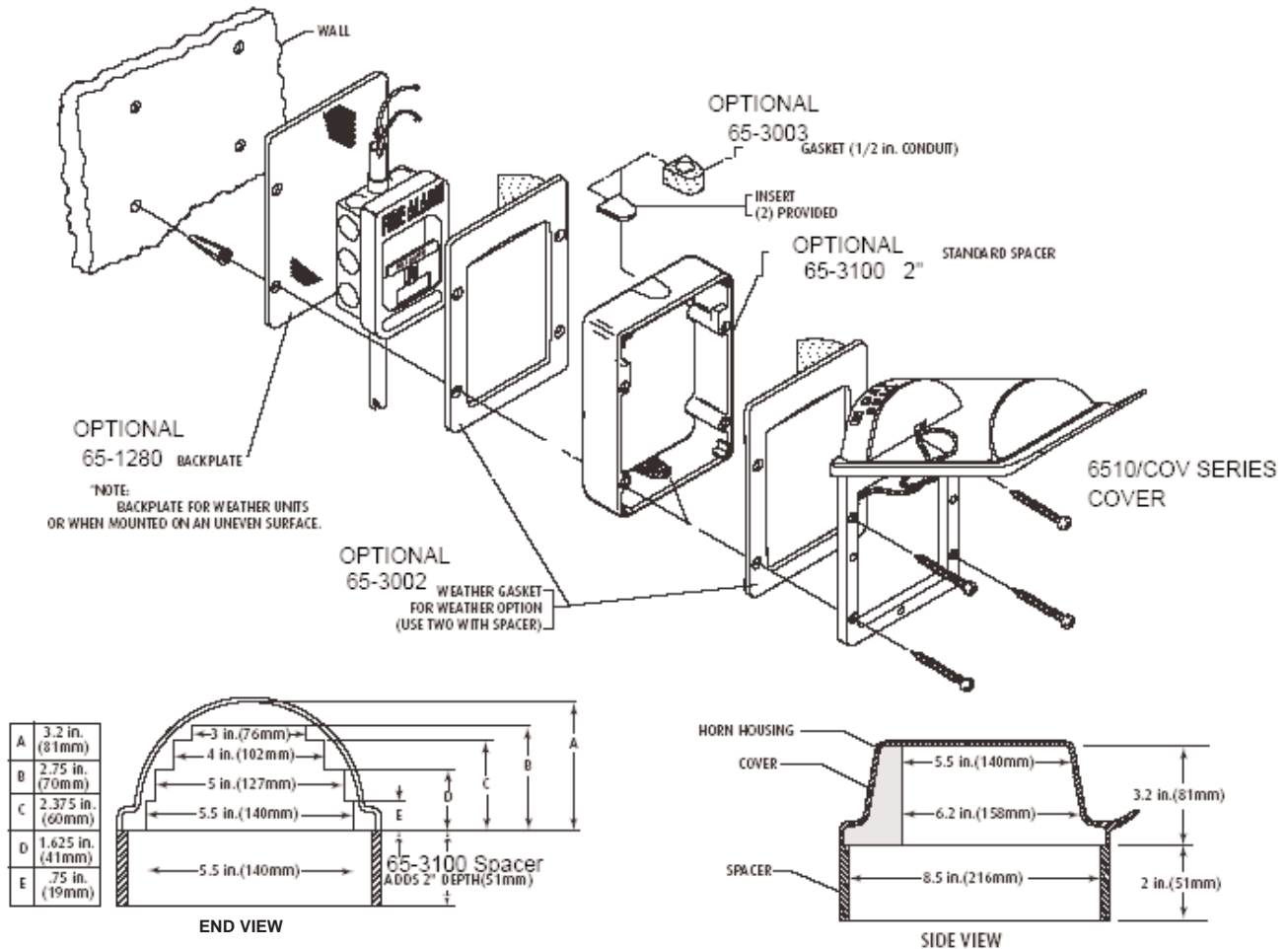
When the 6510/-S35 pull station handle is activated, lock power is cut from the door lock through a SPDT switch. A second independent set of SPDT contacts is also simultaneously switched to allow communication with an alarm monitoring system such as a card access system.

(6510/-S35 Pull stations are not included with 6510/COV series covers; order separately)

Alarm Interface

The 6510/COV/SR includes a relay with SPDT contacts which is energized whenever the cover sounder is activated. This output can be used to alert other remote systems. When used with the 6510/xx-S35xCS, the on-board SPDT relay in the 6510/COV/SR can be used to activate the optional built-in sounder of the pull station. This will cause both sounders to activate while the cover is lifted. If the pull handle is operated, the optional pull station sounder will continue to sound, even if the plastic cover is closed.

6510/COV/S & /SR SERIES ANTI-TAMPER ALARM COVER



Specifications:

Electrical (6510/COV/S or /SR)

Standard power source is 9 VDC alkaline battery. Unit can also be powered from a remote 9 through 24 VDC power source (such as maglock power).

/S & /SR Sounder

Field selectable 90 db or 105 db horn at one foot

/SR Alarm Relay Option

Includes alarm relay output with contacts rated 1 amp @ 30 VAC/VDC

Plexiglass Cover

Polycarbonate tested for -40 F to 120 F
Clear cover UV-stablized

Models:

6510/COV/S - Clear plexiglass anti-tamper top-hinged cover with built-in sounder.

6510/COV/SR - Clear plexiglass anti-tamper top-hinged cover with built-in sounder & alarm relay output.

Approvals/Testing:

UL/cUL Listed No. S2466
Factory Mutual No. OG6A2.AY
State of California
New York City Board of Standards
No. 947-81-SA
ADA Compliant (UL Certified No. S2466)

Description:

Proven effective in helping to stop unauthorized door release without restricting emergency egress. Can also be used as a guard against physical damage to the 6510/xx-S35 emergency pull station.

Clear, tamperproof, super-tough polycarbonate shield and frame fits over 6510/xx-S35 pull station. Cover is UV-stabilized against sun deterioration. Units have standard blue highlight. No text.

For covers without Sounder or Alarm Relay see 6510/COV Series.



**DORTRONICS
SYSTEMS, INC.**

1668 SAG HARBOR TURNPIKE, SAG HARBOR, NY 11963
www.dortronics.com - (800) 906-0137 - (631) 725-8148 FAX