



6510/COV ANTI-TAMPER COVER

**Heavy Duty
Construction**

**Stop accidental
activation**

**Guard against
physical damage**



Protect Door Release hardware

These versatile covers offer excellent protection against physical damage (both accidental and intentional)

This unique device will protect door opening devices without restricting emergency egress. When used with the 6510/xx-S35 Emergency Pull Station these covers are ideal for installation in schools, hospitals, nursing homes, stores, hotels and public buildings of almost every kind.

Utilize with various devices

Perfect for protecting shutdown switches in computer rooms and workshops as well as shielding emergency push buttons; keypads and card readers.

Guards against vandalism, accidental damage, dust and grime as well as severe environments inside and outside.

With optional weather gaskets the 6510/COV dramatically extends the lifespan of devices in washdown or saltwater applications.

Heavy Duty Construction

The 6510/COV Anti-tamper Alarm Cover consists of a clear, super tough polycarbonate shield and frame that fits over the 6510/xx-S35 Emergency Pull Station.

To utilize the 6510/COV; lift the clear plastic cover to gain access to the pull handle on the 6510 pull station for door release, or alarm activation.

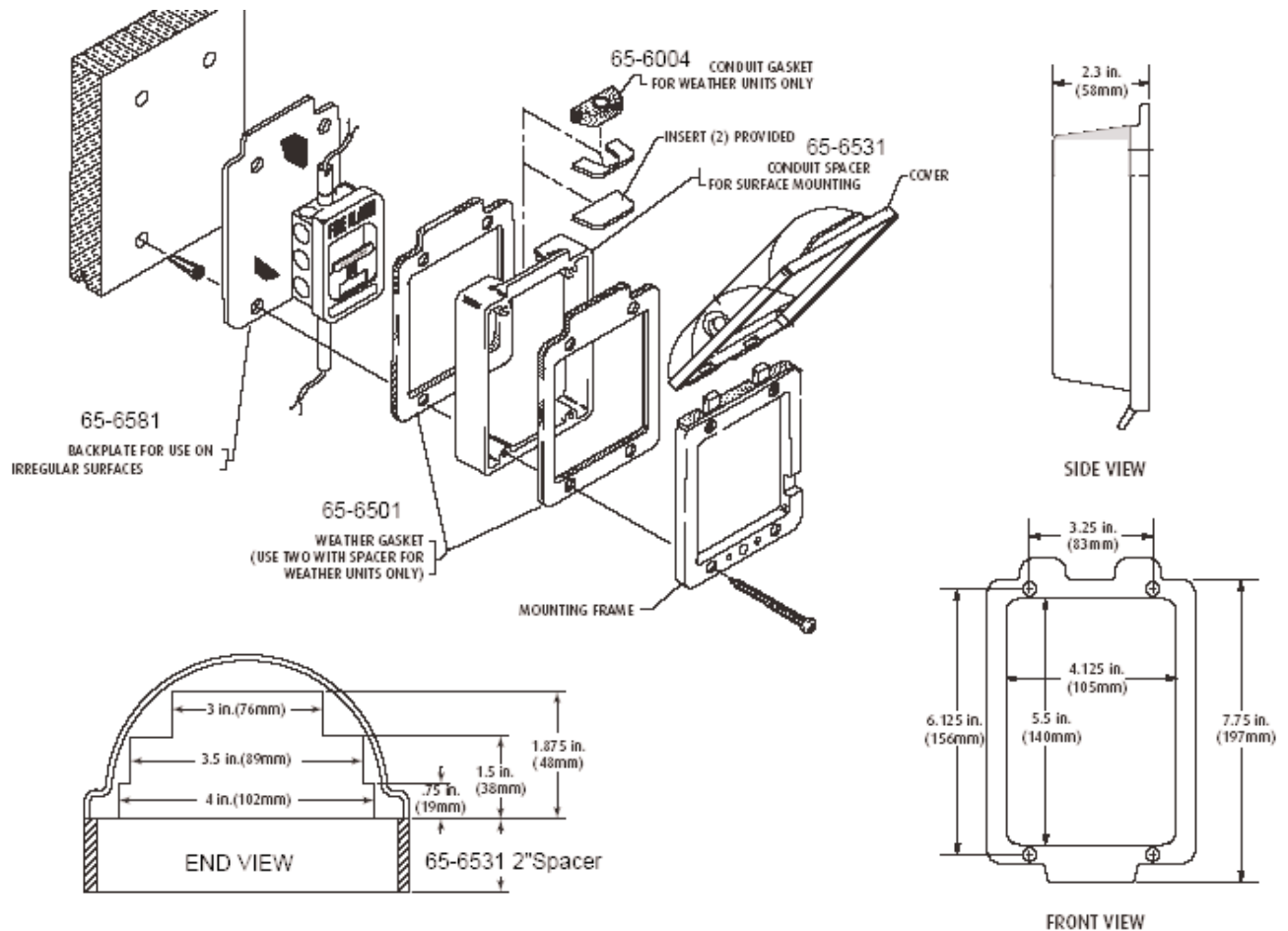
Emergency Pull Station Operation

When the 6510/S35 pull station handle is activated, locks are released through a SPDT switch. A second independent set of SPDT contacts is also simultaneously switched to allow communication with an alarm monitoring system such as a card access system, or remote Annunciator panel.

(6510-S35 Pull stations are not included with 6510/COV series covers; order separately)



6510/COV ANTI-TAMPER COVER



Models:

6510/COV - Clear plexiglass anti-tamper top-hinged cover for 6510 series emergency pull station

Specifications:

Dimensions

6510/COV

5-1/2" wide x 7" high x 1-7/8" deep
(see dimensions graphic above)

Plexiglass Cover

Polycarbonate tested for -40 F to 120 F
Clear cover UV-stabilized

Approvals/Testing:

UL/cUL Listed No. S2466

State of California

New York City Board of Standards

No. 947-81-SA

Description:

Proven effective in helping to stop unauthorized door release without restricting emergency egress. Can also be used as a guard against physical damage to the 6510/xx-S35 emergency pull station. Clear, tamperproof, super-tough polycarbonate shield and frame fits over 6510/xx-S35 pull station. Cover is UV-stabilized against sun deterioration. Units have standard blue highlight with white lettering

Text reads:

"EMERGENCY EXIT ONLY".

Custom text available contact factory

Alarm output Covers also available #6510/COV/S

Piezo sounder integrated in the unit. Lift the cover and a local Piezo activates to deter unnecessary activation of the 6510 pull station

NOTE: Different outside dimensions than 6510/COV see
6510/COV/S & /SR cut sheet

#6510/COV/SR

Piezo Alarm Cover with Relay Output SPDT Alarm Relay integrated in the unit. Lift the cover and a local Piezo activates along with a relay output to deter unnecessary activation of the 6510 pull station

NOTE: Different outside dimensions than 6510/COV see
6510/COV/S & /SR cut sheet