



6612 MOTION SENSING DOOR RELEASE

Immediate Hands Free Door Release

Reliable Fail-Safe Operation

Attractive Slim Housing Cover

Adjustable Long and Short Range



Unlock Doors Automatically:

The 6612 Series of Passive Infrared Motion Detectors, provide immediate hands free door release. These exit control actuators can allow safe, unobstructed egress for convenience. Other R-E-X devices such as push button switch controls and panic exit bars may be used with the 6612 P.I.R. Exit Releases. These exit controls are ideal for use in hospitals, industrial complexes, and office buildings.

Redundant Fail-Safe Relays:

Dual relay outputs are available to redundantly cut power to the electro-magnetic lock while simultaneously signalling an access control system to unlock the door. The relay outputs will open upon sensing motion or in the event of loss of power to the detector, providing fail-safe operation.

Adjustable Timed Output:

The timed relay output is field adjustable to meet the requirements of each application. The relay time period can be selected by DIP switch from seven predefined increments ranging from 1 to 64 seconds .

Fast Accurate Detection:

An eight detent shutter adjustment allows positive masking of the target area. The digital signal processing provides accurate detection of exit targets. Field adjustable, range and sensitivity controls, assure maximum reliability and immunity to false actuations.

Status Indicators:

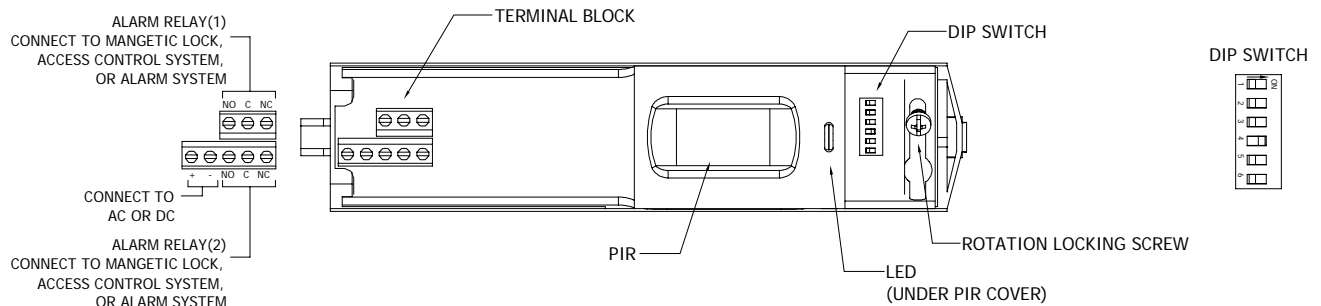
All 6612 Series P.I.R Exit Releases are equipped with a LED detection indicator for testing the coverage pattern. The LED is also illuminated upon activation of the sensor during normal operation to verify exit target detection.

Attractive Unobtrusive Housing:

The slim design allows mounting of the unit inconspicuously above the door. The narrow height will allow the device to be secured to the door frame or even an electro-magnetic lock cover.



6612 SERIES MOTION SENSING DOOR RELEASE



6612 Description:

Standard passive infrared Request To Exit motion detector with adjustable timed relay output and swivel mount for attachment on wall, ceiling or door frame.

6612 Specifications:

ELECTRICAL

Voltage Input

12 to 28VDC or 12.5VAC

Current

Less than 50 mA

1 DPDT Relay

Rating 30 VDC @ 1Amp max

PHYSICAL

Dimensions

7" wide x 2" high x 2" deep

ENVIRONMENTAL

Operating Temp:

32 to 122F

(0 to 50C)

Relative Humidity:

Less than 95% , non-condensing

RFI Immunity

30 V/m, 1 -1000MHz

Specification Guide:

Motion sensing request-to-exit devices shall be 6612 Series Passive Infrared Exit release units by Dortronics Systems, Inc. PIR motion detectors shall be automatic, hands free operation.

These exit sensors shall be fail-safe with 2 SPDT relays which change state upon sensing motion or in the event of loss of power in accordance with life safety requirements. Devices shall be located as scheduled and as required by the local fire code authority.

Unless noted otherwise, motion sensing exit detectors shall be surface mounted to the exit door frame header. Mounting screws shall be concealed behind cover.

Detectors shall have adjustable range and shutter controls to provide the desired coverage. Timed relay output shall be adjusted to match field conditions.

Distributed by:



**DORTRONICS
SYSTEMS, INC.**

1668 SAG HARBOR TURNPIKE, SAG HARBOR, NY 11963
www.dortronics.com - (800) 906-0137 - (631) 725-8148 FAX