



8960 STAND-ALONE ACCESS CONTROL

**Stand Alone
Access Control**

**Control 1 or 2
Doors or Gates**

**Proximity Card
or Keypad**

**26 Bit Wiegand
Code Compatible**

**2,000 User Card
or PIN Capacity**

**Easy Off-line
Programming**

**2,000 Event
History Buffer**

**Downloadable
Audit Trail**



2-Door Stand-Alone Access Control

This stand-alone access control system will control one or two doors with one reader each or one door with two readers for in/out control. The EZ-Access door controller has a capacity for 2,000 active user codes in nonvolatile memory for secure off line operation..

Proximity Card or Keypad

For use with the secure EZ-Prox cards and tags or the Dortronics Wiegand digital keypad, this system is ideal for exterior door or gate applications

Program Without Computer

Users can be easily programmed in or out of the system using a programming card or a unique PIN code. A card/tag simulator is available to delete lost cards.

Downloadable Audit Trail

The EZ-Logger software can retrieve event history for the last 2,000 events when the door controller is connected to a computer through the onboard USB connection.

26-Bit Wiegand Compatible

The controllers will accept input from any standard 26-bit Wiegand device such as a fingerprint reader or an RF transmitter-receiver for secure user identification.

Economical Door or Gate Control

The aggressive pricing of the EZ-Access proximity card or keypad "starter" package will fit any access control budget. While the EZ-Access Control hardware is limited to operation of two doors, the Dortronics optional 26-bit Wiegand keypad can be reused with most online access control systems if the facility later requires upgrading to a full featured control system.

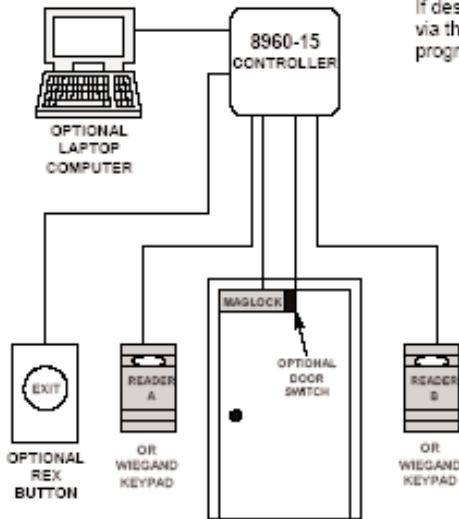
Secure RFID Card Technology

EZ-Prox reader electronics are totally sealed to prevent tamper and protection from the environment. User identification can be convenient key-ring tags or thin proximity cards suitable for photo IDs.



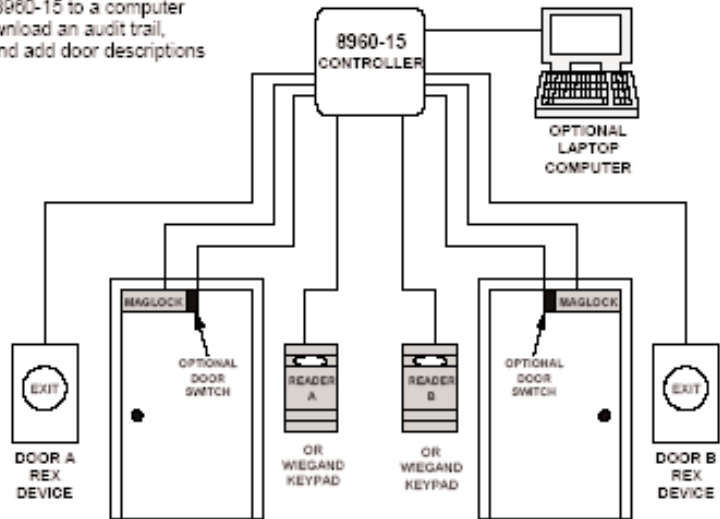
8960 SERIES STAND ALONE EZ-ACCESS CONTROL

SINGLE DOOR SYSTEM (PC OPTIONAL)



If desired connect the 8960-15 to a computer via the USB port to download an audit trail, program user names and add door descriptions

TWO DOOR SYSTEM (PC OPTIONAL)



Physical Specifications:

#8961-15 Controller - 4" wide x 5" high x 3/4" thick with white wall mount PVC enclosure

#8965-11 Black Proximity Reader sealed weather proof unit 1- 3/4" W x 3-1/2" H x 7/8" thick (with spacer) suitable for mullion or wall mounting

#8965-21 Off-White Proximity Reader (same as above)

#8963-11 EZ-Prox Card/Tag simulator used to delete lost cards

#8963-12 EZ-Prox thin RFID card
#8963-13 EZ-Prox RFID key tag

#8961-00 EZ-Logger software
#8961-06 USB cable (A to B) 6' long

Electrical Requirements:
160ma @12 VDC maximum.

Outputs:
Relays (2) - SPDT, 3 amp @ 28 VDC
Aux. Output (1) - DC Open collector

Environmental:
-20 to +130 degrees Fahrenheit

Applications:

Ideal for a small business to provide after-hours employee access or to limit entry into sensitive areas such as computer rooms, tool storage, etc. This stand-alone access system can also control door or gate access into remote facilities without the necessity of phone lines or an on-site computer.

Typical Operation:

Secure RF proximity cards and tags are enrolled and deleted by use of a programming card. Lost cards can be deleted from the system using the 8963-11 card/tag simulator. A programming code is used for EZ-Access Control systems with keypads, to enroll and delete user ID codes as required.

Economical:

The EZ-Access Control system with EZ-Prox readers will fit into just about any access control budget. The 26-bit Wiegand keypads can be reused with most on-line, full featured, access control systems for expansion.

Event History Reports:

The most recent 2000 events are stored, in non-volatile memory. Each transaction is date & time stamped for an accurate history log. The simple EZ-Logger, Microsoft compatible, software enables download of the event buffer for audit reporting. These text files can be viewed, formatted and reports printed using Microsoft Notepad, Excel or Word programs.

The EZ-Logger software can also be used to add, modify or delete user names associated with user ID codes. This software also allows door descriptions as well as providing a searchable history of transactions. A standard USB connector on-board the controller allows use of laptops or desktop computers with this system.

Approvals:

US Compliance to FCC Part 15
FCC ID# U78-8965001
Canada Radio & Equipment Compliance
IC Certification# 7153A-8965001



1668 SAG HARBOR TURNPIKE, SAG HARBOR, NY 11963
www.dortronics.com - (800) 906-0137 - (631) 725-8148 FAX