



300 SERIES MINI-MITE MAGNETIC LOCK

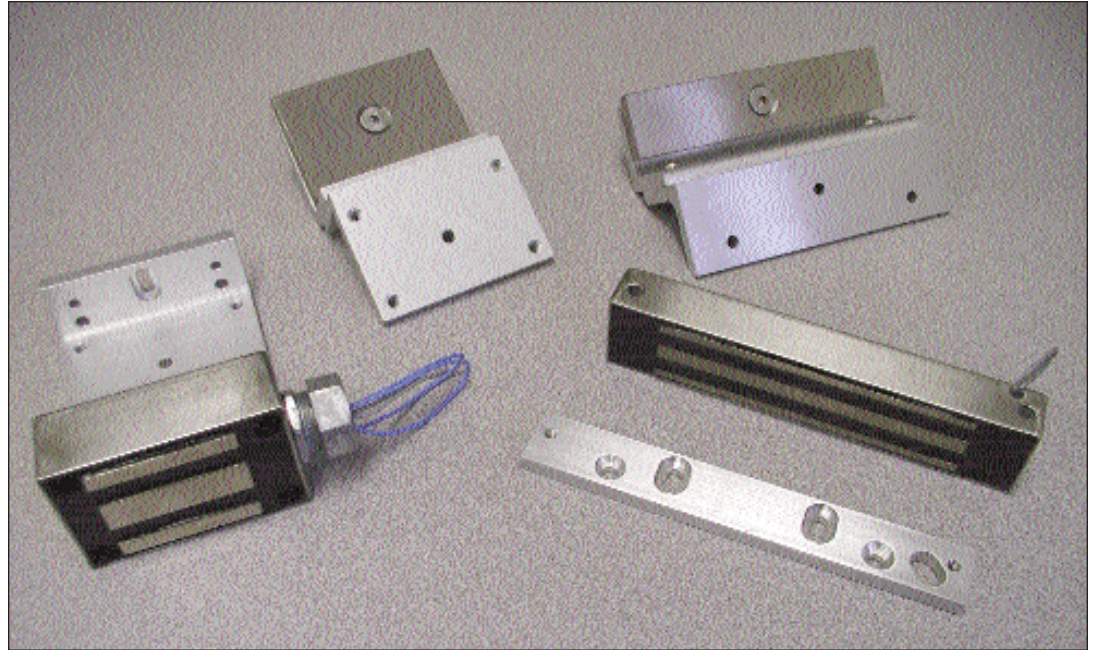
**300 Pounds
Holding Force**

**Ultra Small
Mounting Profile**

**Low Efficient
Current Draw**

**Easy Universal
Mounting**

Multiple Uses



Pedestrian Gate Locks:

The MM-300 electromagnetic lock is ideal for locking small pass thru doors, server cabinets and drawers in low level security areas. Creating 300 pounds of direct holding force, they provide a reliable method of access control. Locks can be mounted on cabinets with either out-swing or in-swing door action.

Fail-Safe Operation:

All MINI-MITE electromagnetic locks are inherently fail-safe, releasing instantly upon command or loss of power. With no moving parts to wear, stick or bind; no mechanical linkages to bend or break; and no bolt travel time or misalignment concerns, both locking and unlocking can be accomplished with ease and efficiency.

Exterior Applications:

The MM-300 model is totally sealed, it's weather-proof construction allows installation in outdoor environments. A rigid conduit fit-ting is provided on one end of the Stain-less Steel housing to protect power wiring to the electromagnet. The armature and exposed face of the electromagnet is nickel plated to resist rust and corrosion.

Security Cabinet Locks:

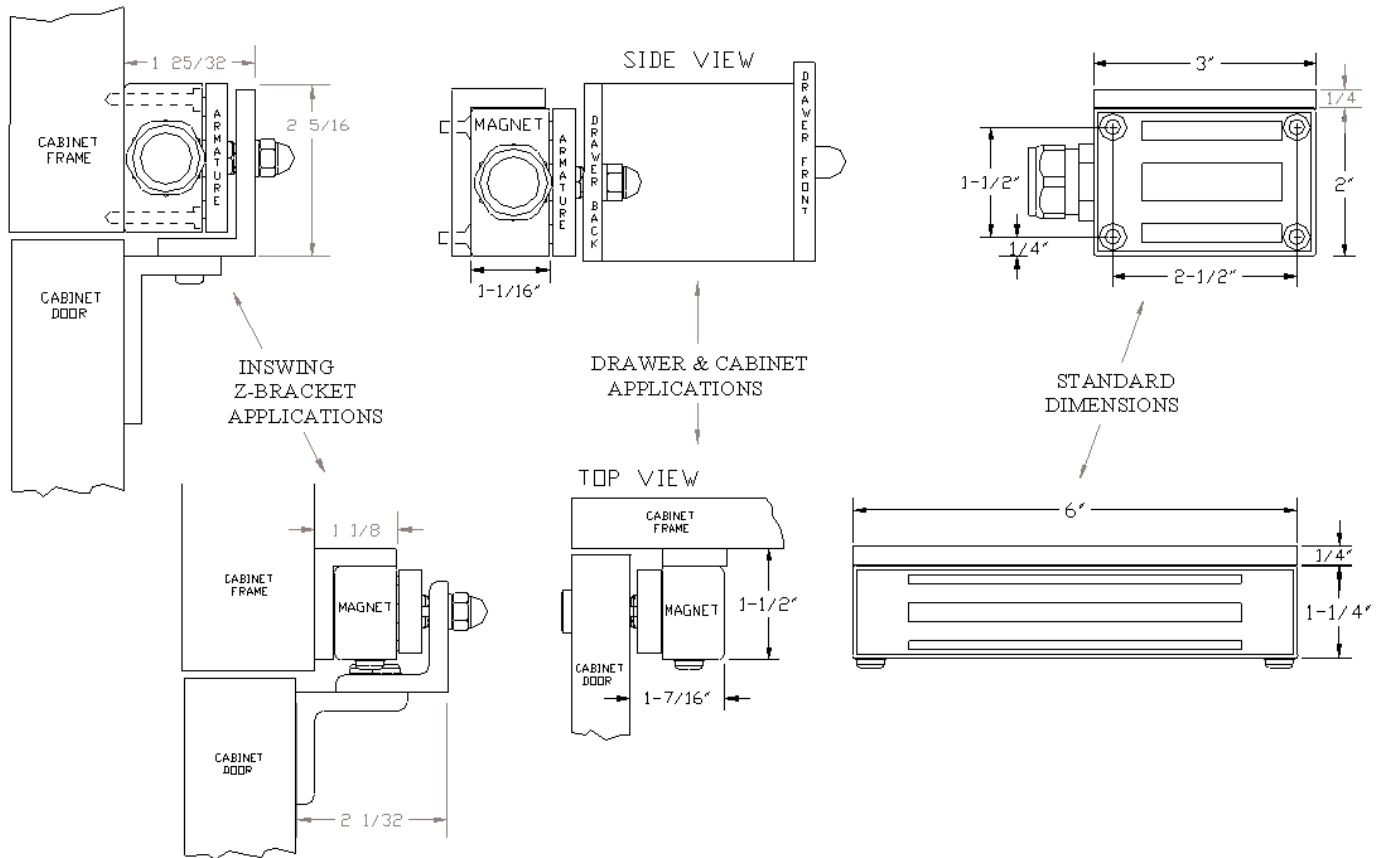
The small size of the 300 Series magnetic lock allows installation of these devices to secure small cabinet doors and drawers. Although miniature in size, this lock has a direct holding force of 300 pounds. The electromagnet is epoxy encapsulated in a stainless steel housing, which can be mounted to any flat surface.

Universal Control:

These locks are capable of being controlled individually, sequentially, or simultaneously from one or several locations. MINI-MITE magnetic locks have been used with access control systems to secure drug lockers, file cabinets, collectibles cabinets, ATM drawers safety deposit boxes, and Server cages.

The well confined magnetic field of these locks allow them to be used in computer rooms and other electronically sensitive areas. The built-in spike and surge suppressor system protects connected electronics interference. These locks can be reliably interfaced with any access control and monitoring equipment .

MM-300/300N SERIES MINI-MITE LOCKS



Specifications:

Physical Size

MM-300 Housing - 3" long x 2" high x 1-1/16" excluding mounting bracket and conduit nipple

MM-300 Armature - 3" long x 2" wide x 5/16" thick

MM-300N Housing - 6" long x 1-1/4" high x 7/8" deep overall

MM-300N Armature - 5" long x 1-1/8" wide x 5/16" thick

Electrical Operating Voltage

MM-300 Field selectable

170mA @ 24 VDC

340mA @ 12 VDC

MM-300N Specify voltage

160 mA @ 12 VDC

85 mA @ 24 VDC

Housing Finish:

MM-300 - Magnet housing is Brushed Stainless Steel

MM-300N - Magnet housing is Brushed Stainless Steel

Mounting Hardware:

Since most applications of these projects are unique, the MM-300 comes with an angle bracket as well as being face drilled for various field conditions. The MM-300N comes with a slotted mounting plate. An optional angle bracket is available for this unit. In addition both models are available with optional Z-Brackets for Inswing applications

Installation:

The elongated mounting holes on the mounting angle or plate of the MM-300 permit easy adjustments. The armature is secured using the captive screw attached and the Sex nut provided. Roll pins in the back of the Armature prevent rotation.

The MM-300N narrow style lock can be supplied with face mount attachment holes, for special applications.

Power Wiring:

The MM-300 comes set for 24VDC operation and may be switched to 12VDC in the field.

The MM-300N Must have the desired operating voltage specified at the time of ordering. (12 or 24VDC)

The MM-300 is shipped with a rigid Female conduit fitting on one end for power wiring. Connection is typically by wire nuts or in-line crimp connectors.

The MM-300N has Flying leads that extend from the housing at one top corner. These wires must be concealed and protected by the installing contractor as required.

Ordering:

For inswing applications specify "TJ" prefix to include Z-bracket.



1668 SAG HARBOR TURNPIKE, SAG HARBOR, NY 11963
www.dortronics.com - (800) 906-0137 - (631) 725-8148 FAX