

1107xEDR DELAYED EGRESS ACTUATING LOCK

**NFPA 101 / BOCA
Compatible**

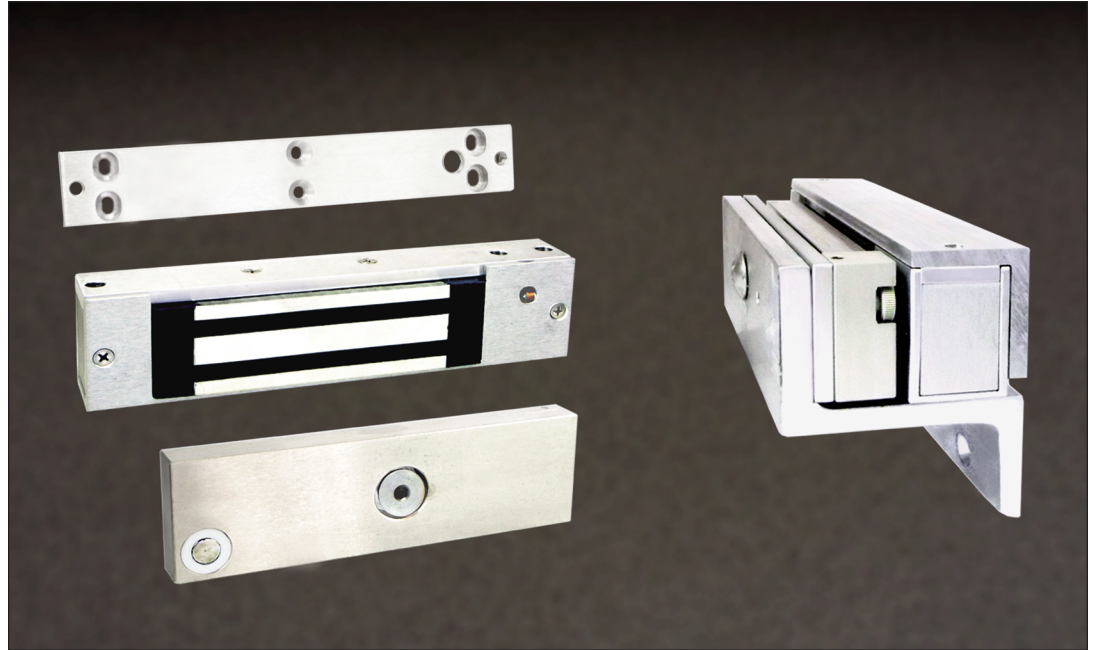
**600 Pounds of
Holding Force**

**Shallow 2-1/4"
Mounting Profile**

**Efficient-Low
Current Draw**

**Certified to
UL294
for Access Control**

Made in USA



Delayed Egress Activation:

Designed for use with the 7101-P Delayed Egress Panel, the 1107xEDR employs a Microswitch actuator which senses door movement via the spring loaded Armature. The Microswitch sensitivity is field adjustable to accommodate various applications. A concealed Door Position Switch is also included and utilized to report door status for Re-lock and Forced door conditions to the Egress Panel

Reliable & Versatile:

This state of the art electromagnetic locking device provides positive, instantaneous door control. Models available for single outswing, inswing, and sliding doors or gates. Filler plates, angle brackets, and other mounting adapters are available to accommodate a wide range of door and frame types and conditions.

NFPA Life Safety Compatible:

As electromagnetic locking devices function independently of mechanical locks. Magnetic locks are ideal for use with fire and hazard detection systems to provide unobstructed egress and are highly recommended for use on Exit Door Control Systems requiring delayed releasing, per NFPA 101 or BOCA Codes.

Safe Operation:

All 1107xEDR electromagnetic locking devices are inherently fail-safe, releasing instantly upon command or loss of power. Both locking and unlocking are accomplished with ease and efficiency.

The well confined magnetic field of these locks allow them to be used in computer rooms and other electronically sensitive areas. The built-in Transient Surge suppression protects the electro-magnet from noise and voltage spikes.

System Compatibility:

Although the 1107xEDR Maglocks were designed to work with the Dortronics 7101-P they will work reliably with most Delayed Egress controllers as well as other security alarm and access control systems.

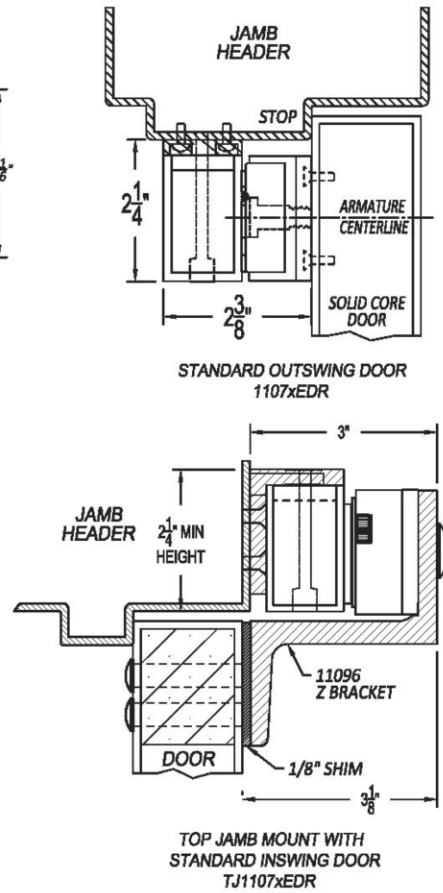
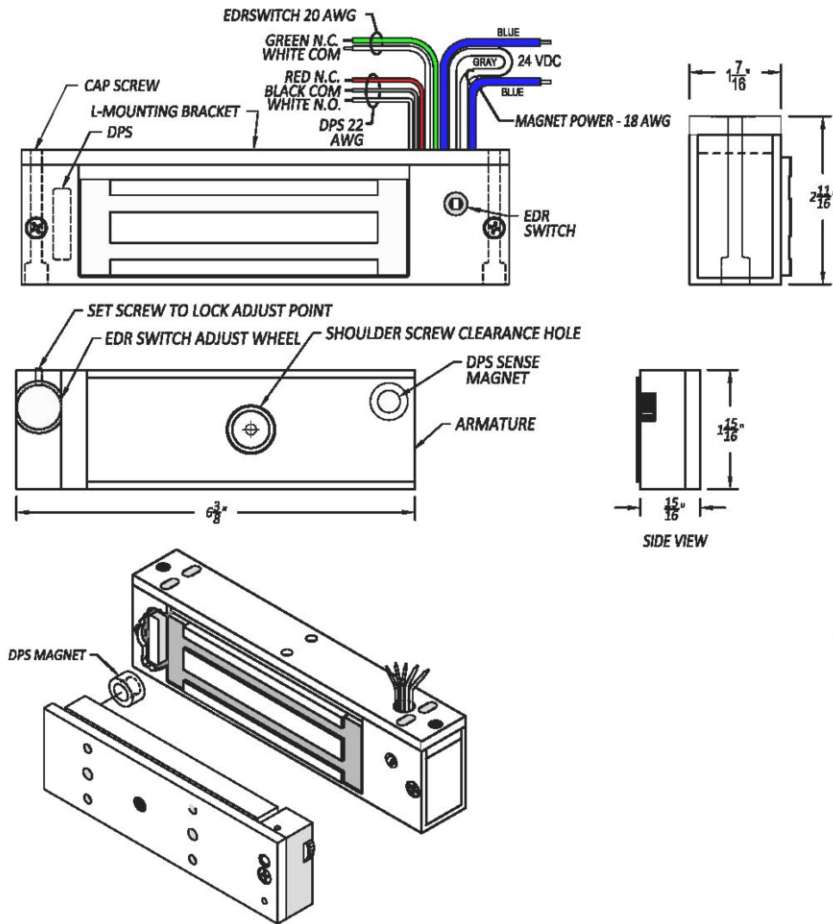
Extended Service:

The rugged all metal design and durable construction ensures unlimited lock and unlock cycles without electrical fatigue or mechanical breakdown. Our locks are manufactured to the most stringent quality control standards. This allows Dortronics to offer a *Lifetime limited warranty* on all 1107 Series electromagnetic locks.



**DORTRONICS
SYSTEMS, INC.**

1107xEDR DELAYED EGRESS ACTUATING LOCKS



Specifications:

Models

1107xEDR - Single Door standard
Outswing (600 lbs.)

TJ1107xEDR - Single Inswing Door
With Z-Bracket (600 lbs.)

1195-07xEDR Inswing Conversion Kit

Physical Size

1107xEDR Housing - 8-1/4" long x 2-1/4" high x 1-1/4" deep

TJ1107xEDR Housing & Angle bracket-
8-1/4" long x 2-1/16" high x 1-1/2" deep

ETL Listed to the following standard:

UL 294
ACCESS CONTROL
SYSTEMS UNITS



Electrical:

Operating voltage
(field selectable)
1107xEDR - 245ma @ 24 VDC
480ma @12 VDC

Egress Actuator Switch Normally Open
rated @ 3 amps @ 30 volts DC

Concealed Door Position Switch SPDT
rated @ 100 Millamps @ 30 volts DC

Finish:

1107 series locks are encased in a brushed
Clear Anodized Aluminum housing
Electro-magnet face and armature are
Zinc plated for high resistance to rust and
corrosion.

Installation:

Typically these locks are mounted on
outswinging doors using the Header
mounting plate accompanying the unit.
This mounting plate has elongated slots
for ease of alignment and threaded holes
for secure attachment of the lock to the
plate. An access hole is also provided in
the mounting plate to accommodate the
power and control wiring to the Delayed
Egress control panel.
The armature mounting plate attaches to
the door surface with hardware included.
No through bolting is required.

Gate/Inswing applications:

The TJ1107xEDR units are supplied with
an angle bracket prepared for attaching to
the face of the door frame. Z-bracket and
mounting hardware are also furnished for
the mounting of the armature plate to the
door or gate post.

**Field convert the 1107 to a TJ1107 with
the 1195-07xEDR conversion kit**



1668 SAG HARBOR TURNPIKE, SAG HARBOR, NY 11963
www.dortronics.com - (800) 906-0137 - (631) 725-8148 FAX