

# NEW PRODUCT

## Programmable Mantrap Control

# PLC Door Interlock Controller

### Total Control & Flexibility

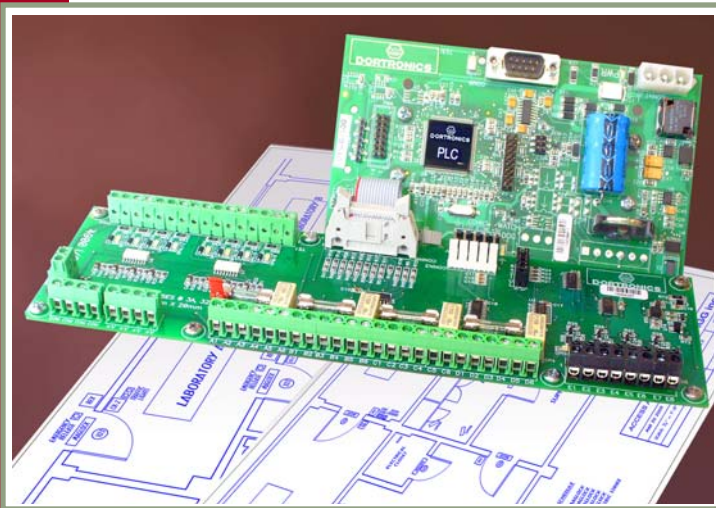
The 4900 series Interlock Controllers can provide power and control for up to 128 doors. The PLC logic allows only one door, in any defined area, to be unsecured at a time. Simultaneous requests for access or requests for access while another door is unsecured are denied to maintain the highest level of control.

### Ready to Run

No software or programming to learn. Controllers shipped with all operating logic pre-programmed to the customer's specification. Program changes can be emailed for field uploading on-site.

### Easy to Install

Simple connection of door status switches and request-to-access devices are clearly designated in the documentation. Locking devices can be powered from the built-in DC supply or customer's independent low voltage power source. LED visual indicators can be powered or controlled from the relay outputs.



### Typical Components:

**#4900-PLC** – PLC Controller

**#4900-I/O** – Input/output module with eight digital inputs & four DPDT relay outputs plus four digital outputs

**#4204** Power Supply 4 Amp output

**Note:** All PLC systems sold as complete assemblies, factory pre-programmed to customer's specification.

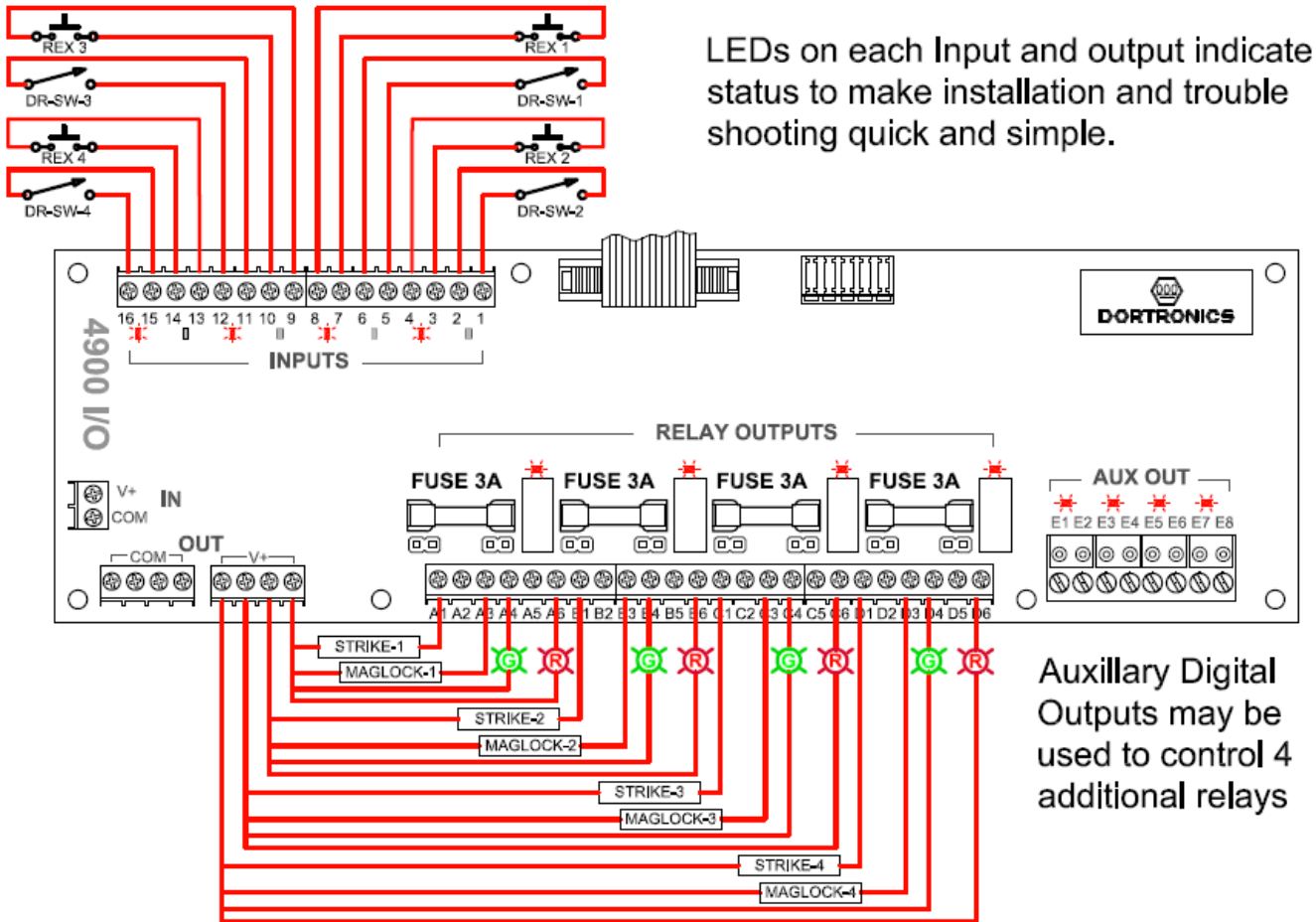
### Air Locks or Security Mantraps

Suitable for air locks or security mantraps, this door interlock system will effectively control normally unlocked doors, normally locked doors or any combination of both. The controller may also be customized to control automatic door openers and provide timing and logic sequences for biological wash-down controls.

## DORTRONICS SYSTEMS, INC

1668 Sag Harbor Tpke. – Sag Harbor, NY 11963  
(800) 906-0137 - (631) 725-0505 - (631) 725-8148 FAX  
[www.dortronics.com](http://www.dortronics.com)

# 4900 Series PLC Door Interlock Specifications



## Physical Dimensions –

4900 PLC with I/O Module & Power Supply mounted in 12" x 16" x 4" NEMA Enclosure. Additional I/O modules and expansion relay boards require larger enclosures

## Electrical Specifications –

Power Input = Standard 110 VAC  
Built-in Power Supply = 4 Amps @ 12 or 24 Volts DC

## Optimal Configuration –

Total Doors = 128 each Normally Unlocked Doors or 64 Normally Locked Doors  
Total Inputs = 128 each Dry Contacts per PLC or eight inputs per I/O module maximum  
Total Outputs = 128 each DPDT Relays per PLC (four relays per I/O module plus four additional Digital outputs may be utilized for relay control)

Mirrored Inputs = Outputs may be programmed to mirror input activity (such as door status switches) for use with other systems

## Standard Models –

#49311-U = 3-Doors/1-Room – All doors Unlocked  
#49311-L = 3-Doors/1-Room – All doors Locked

#49411-U = 4-Doors/1-Room – All doors Unlocked  
#49411-L = 4-Doors/1-Room – All doors Locked

#49511-U = 5-Doors/1-Room – All doors Unlocked  
#49511-L = 5-Doors/1-Room – All doors Locked  
#49521-U/1S = 5-Doors/2-Room All doors Normally Unlocked with one shared

#49611-U = 6-Doors/1-Room – All doors Unlocked  
#49611-L = 6-Doors/1-Room – All doors Locked  
#49621-U/1S = 6-Doors/2-Room All doors Normally Unlocked with one shared

## Customized Applications –

Any 4900 PLC Interlock may be customized to the customer's requirements. This also includes special timing functions and logic relative to user actions. Contact factory for price of special programming.