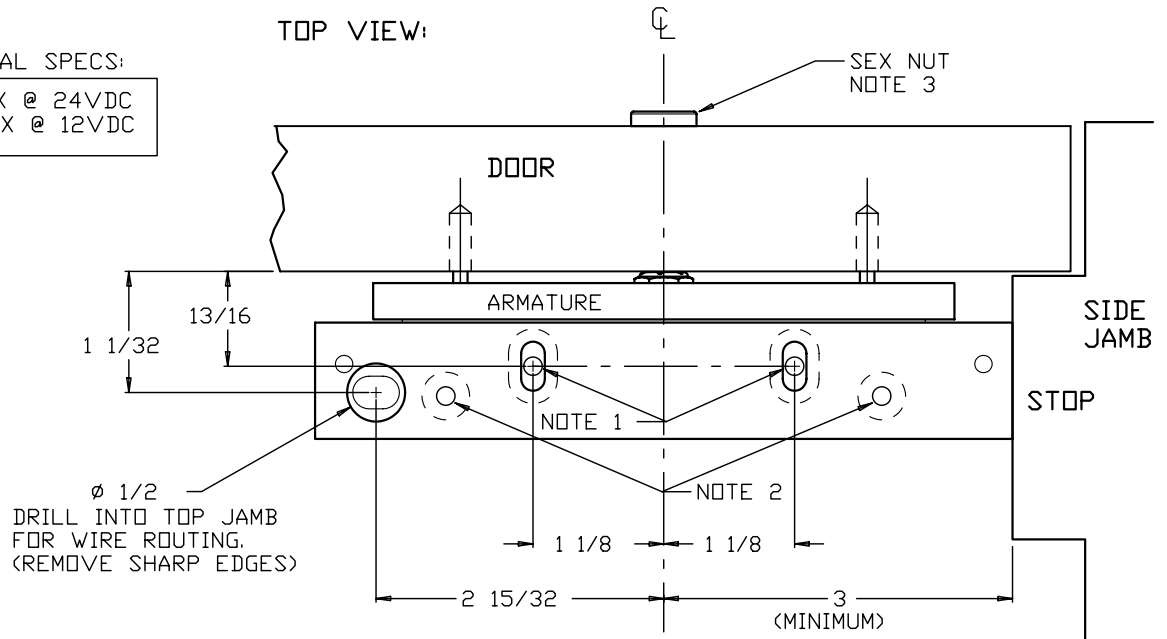


BEFORE INSTALLING, READ MOUNTING INSTRUCTIONS THOROUGHLY!

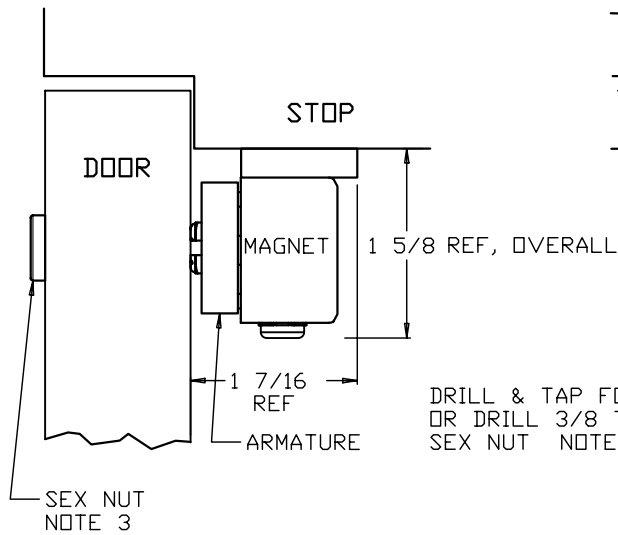
WIRING ELECTRICAL SPECS:

BLUE LEADS 85 mA MAX @ 24VDC  
GRAY LEADS 160 mA MAX @ 12VDC

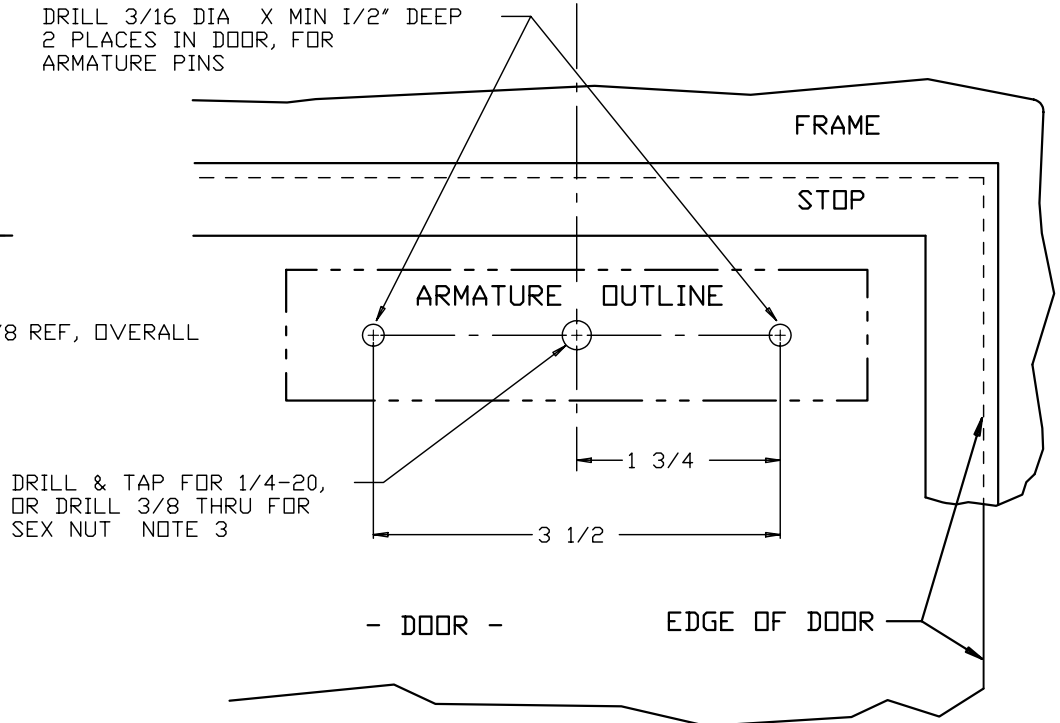
TOP VIEW:



SIDE VIEW:



FRONT VIEW:



NOTES:

1. DRILL & TAP FRAME FOR 10-32 MACHINE SCREWS, OR #10 SHEET METAL SCREWS. SLOTS PERMIT FINAL ADJUSTMENT OF UNIT (+/- ALMOST 1/8") DURING MOUNTING. (USE PAN HEAD SCREWS)
2. ONLY AFTER LOCK HAS BEEN PROPERLY POSITIONED, USE THE REMAINING HOLES AS A FIXED TEMPLATE TO DRILL & TAP FOR #10-32 MACHINE SCREWS OR #10 SHEET METAL SCREWS IN THE HOLE CENTERS. (USE FLAT HEAD SCREWS)
3. SEX BOLT FURNISHED IS FOR A 1 3/4" THICK DOOR. IF A SEX BOLT IS REQUIRED FOR OTHER DOOR THICKNESSES, CONSULT FACTORY.

TITLE MM300N SERIES SURFACE APPLICATION ON SINGLE OUTSWINGING DOOR: MAGNET AND ARMATURE MOUNTING PREPARATION					
DRAWN	GSG	DATE	7/5/02	SCALE	TO FIT
APPR.	XXX	DATE	XX/XX/XX	UNITS	INCHES
CAD FILE			TMM300N-1	SHEET 1 OF 1	
SIZE			A		



**DORTRONICS**  
SYSTEMS, INC.

DWG. NO.

TMM300N-1

REV.

NC